



Features:

- Full-range full-screen design
- Entire series features aluminum alloy die-cast molding design
- Front panel meets IP65 requirements
- Modular design with options from 10.1 to 21.5 inches available
- Supports choice between square and widescreen formats
- Front panel integrates USB Type-A and signal indicator lights
- Embedded/VESA mounting options
- 12~28V DC power supply

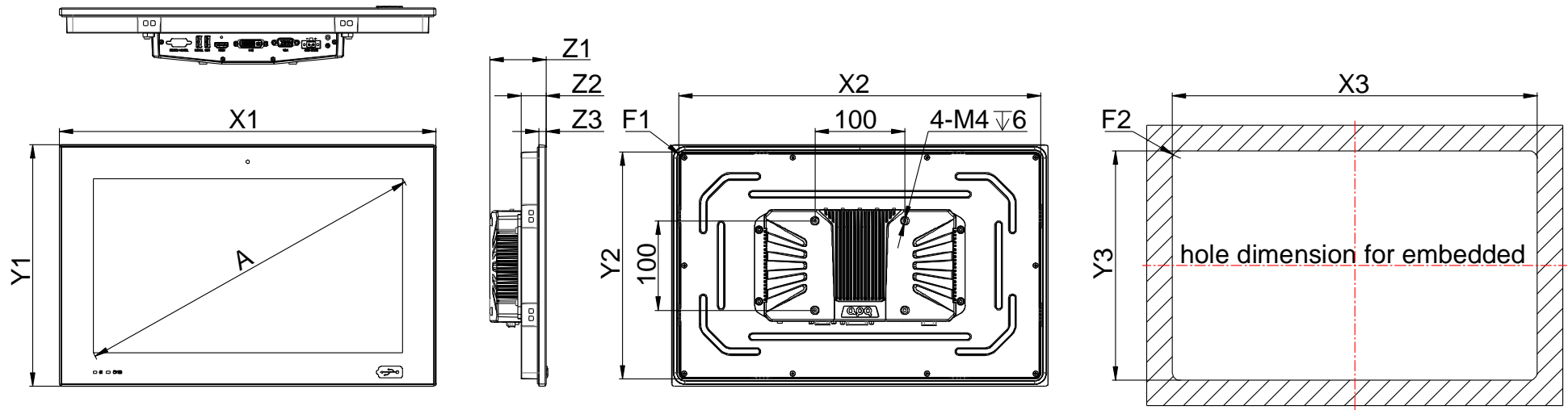
Product Specifications

General		Touch	
● I/O Ports	HDMI, DVI-D, VGA, USB for touch, USB for front panel	● Touch Type	Projected capacitive touch
● Power Input	2Pin 5.08 phoenix jack (12~28V)	● Controller	USB signal
● Enclosure	Panel: Die cast magnesium alloy, Cover: SGCC	● Input	Finger/Capacitive touch pen
● Mount Option	VESA, embedded	● Light Transmission	≥85%
● Relative Humidity	10 to 95% RH (non-condensing)	● Hardness	≥6H
● Vibration During Operation	IEC 60068-2-64 (1Grms@5~500Hz, random, 1hr/axis)		
● Shock During Operation	IEC 60068-2-27 (15G, half sine, 11ms)		
● Certification	CE/FCC, RoHS		

Display Panel

Model	L101CQ	L104CQ	L121CQ	L150CQ	L156CQ	L170CQ	L185CQ	L191CQ	L215CQ
Display Size	10.1"	10.4"	12.1"	15.0"	15.6"	17.0"	18.5"	19.0"	21.5"
Display Type	WXGA TFT-LCD	XGA TFT-LCD	XGA TFT-LCD	XGA TFT-LCD	FHD TFT-LCD	SXGA TFT-LCD	WXGA TFT-LCD	WXGA TFT-LCD	FHD TFT-LCD
Max. Resolution	1280 x 800	1024 x 768	1024 x 768	1024 x 768	1920 x 1080	1280 x 1024	1366 x 768	1440 x 900	1920 x 1080
Luminance	400 cd/m2	350 cd/m2	350 cd/m2	300 cd/m2	350 cd/m2	250 cd/m2	250 cd/m2	250 cd/m2	250 cd/m2
Aspect Ratio	16:10	4:3	4:3	4:3	16:9	5:4	16:9	16:10	16:9
Viewing Angle	89/89/89/89	88/88/88/88	80/80/80/80	88/88/88/88	89/89/89/89	85/85/80/80	89/89/89/89	85/85/80/80	89/89/89/89
Max. Color	16.7M	16.2M	16.7M	16.7M	16.7M	16.7M	16.7M	16.7M	16.7M
Backlight Lifetime	20,000 hrs	50,000 hrs	30,000 hrs	70,000 hrs	50,000 hrs	30,000 hrs	30,000 hrs	30,000 hrs	50,000 hrs
Contrast Ratio	800:1	1000:1	800:1	2000:1	800:1	1000:1	1000:1	1000:1	1000:1
Operating Temperature	-20~60°C	-20~70°C	-20~70°C	-20~70°C	-20~70°C	0~50°C	0~50°C	0~50°C	0~60°C
Storage Temperature	-20~60°C	-20~70°C	-30~80°C	-30~70°C	-30~70°C	-20~60°C	-20~60°C	-20~60°C	-20~60°C
Weight	Net:2.1 kg, Total:4.3 kg	Net:2.5kg, Total:4.7 kg	Net:2.9kg, Total:5.3 kg	Net:4.3kg, Total:6.8 kg	Net:4.5kg, Total:6.9kg	Net:5kg, Total:7.6 kg	Net:5.1kg, Total:8.2 kg	Net:5.5kg, Total:8.3 kg	Net:5.8kg, Total:8.8 kg
Dimensions (L*W*H,Unit:mm)	272.1*192.7*63	284*231.2*63	321.9*260.5*63	380.1*304.1*63	420.3*269.7*63	414*346.5*63	485.7*306.3*63	484.6*332.5*63	550*344*63

Product Dimensions



A	System Dimension			Panel Mount							
	X1	Y1	Z1	X2	Y2	Z2	X3	Y3	Z3	F1	F2
10.1"	272.1	192.7	63	260.9	181.5	28	262.5	183.1	8	6.9	7.8
10.4"	284	231.2	63	268.1	215.3	28	269.9	217.1	8	7.1	8.5
12.1"	321.9	260.5	63	307	245.6	28	309.8	248.4	8	7.1	8.5
15.0"	380.1	304.1	63	364.2	288.2	28	367	291	8	7.1	8.5
15.6"	420.3	269.7	63	404.5	253.8	28	407.3	256.6	8	7.1	8.5
17.0"	414	346.5	63	398.2	330.6	28	401	333.4	8	7.1	8.5
18.5"	485.7	306.3	63	469.8	290.4	28	472.6	293.2	8	7.1	8.5
19.0"	484.6	332.5	63	468.7	316.6	28	471.5	319.4	8	7.1	8.5
21.5"	550	344	63	538.7	327.7	28	539.5	330.9	8	7.1	8.5

Product I/O

