



Features:

- High-temperature five-wire resistive screen
- Standard rack-mount design
- Front panel integrated with USB Type-A
- Front panel integrated with signal status indicator lights
- Front panel designed to IP65 standards
- Modular design, with options for 17/19 inches
- Entire series crafted with aluminum alloy die-cast molding
- 12~28V DC wide voltage power supply

Product Specifications

General

- **I/O Ports** HDMI, DVI-D, VGA, USB for touch, USB for front panel
- **Power Input** 2Pin 5.08 phoenix jack (12~28V)
- **Enclosure** Panel: Die cast magnesium alloy, Cover: SGCC
- **Mount Option** Rack-mount, VESA, embedded
- **Relative Humidity** 10 to 95% RH (non-condensing)
- **Vibration During Operation** IEC 60068-2-64 (1Grms@5~500Hz, random, 1hr/axis)
- **Shock During Operation** IEC 60068-2-27 (15G, half sine, 11ms)

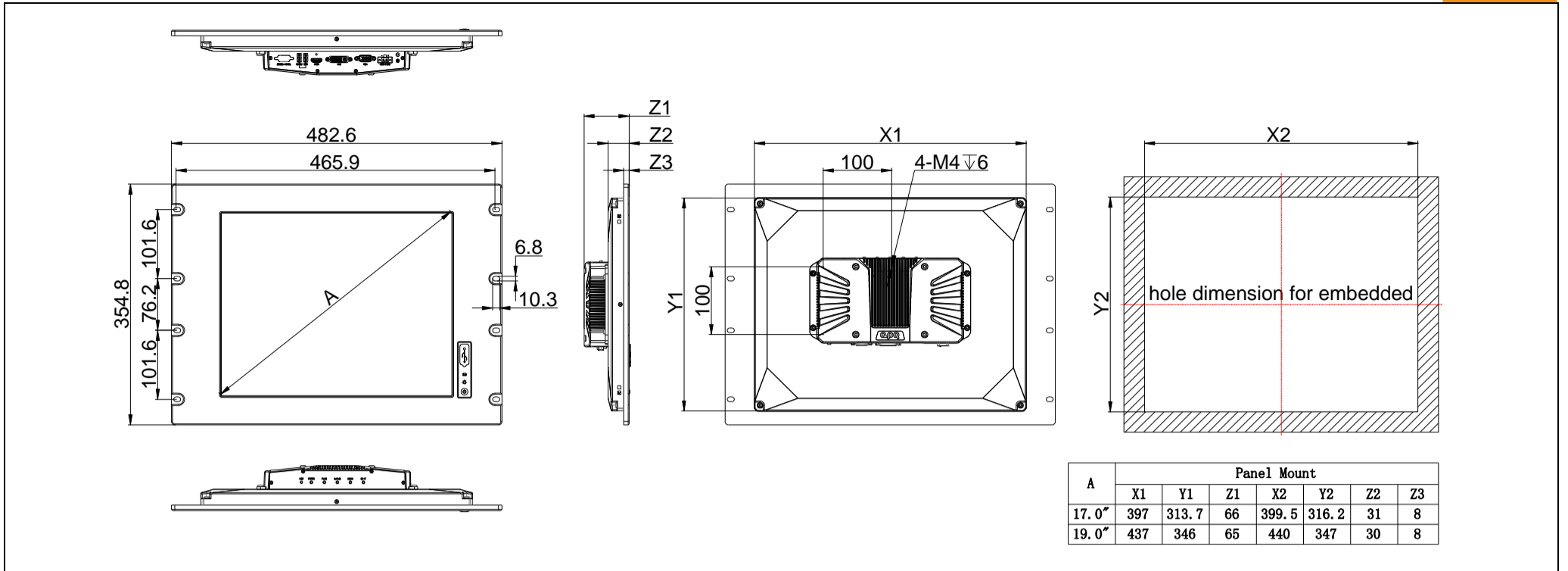
Touch

- **Touch Type** Five-wire analog resistive
- **Controller** USB signal
- **Input** Finger/Touch pen
- **Light Transmission** ≥78%
- **Hardness** ≥3H
- **Click lifetime** 100gf, 10 million times
- **Stroke lifetime** 100gf, 1 million times
- **Response time** ≤15ms

Display Panel

Model	G170RF	G190RF
Display Size	17.0"	19.0"
Display Type	SXGA TFT-LCD	SXGA TFT-LCD
Max. Resolution	1280 x 1024	1280 x 1024
Luminance	250 cd/m ²	250 cd/m ²
Aspect Ratio	5:4	5:4
Viewing Angle	85/85/80/80	89/89/89/89
Max. Color	16.7M	16.7M
Backlight Lifetime	30,000 hrs	30,000 hrs
Contrast Ratio	1000:1	1000:1
Operating Temperature	0~50°C	0~50°C
Storage Temperature	-20~60°C	-20~60°C
Weight	Net:5.2 Kg, Total:8.2 Kg	Net:6.6 Kg, Total:9.8 Kg
Dimensions(L*W*H)	482.6mm * 354.8mm * 66mm	482.6mm * 354.8mm * 65mm

Product Dimensions



Product I/O

