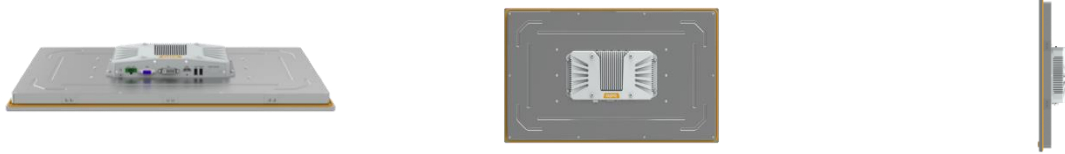




Features:

- Entire series features a full-screen design
- Entire series adopts an aluminum alloy die-cast molding design
- The front panel meets IP65 requirements
- Modular design available in sizes from 10.1 to 21.5 inches
- Supports the choice between square and widescreen formats
- The front panel integrates USB Type-A and signal indicator lights
- The LCD screen features a fully floating ground and dustproof, shock-resistant design
- Supports embedded/VESA mounting
- Powered by 12~28V DC



Product Specifications

General

- **I/O Ports** HDMI, DVI-D, VGA, USB for touch, USB for front panel
- **Power Input** 2Pin 5.08 phoenix jack (12~28V)
- **Enclosure** Panel: Die cast magnesium alloy, Cover: SGCC
- **Mount Option** VESA, embedded
- **Relative Humidity** 10 to 95% RH (non-condensing)
- **Vibration During Operation** IEC 60068-2-64 (1Grms@5~500Hz, random, 1hr/axis)
- **Shock During Operation** IEC 60068-2-27 (15G, half sine, 11ms)
- **Certification** CE/FCC, RoHS

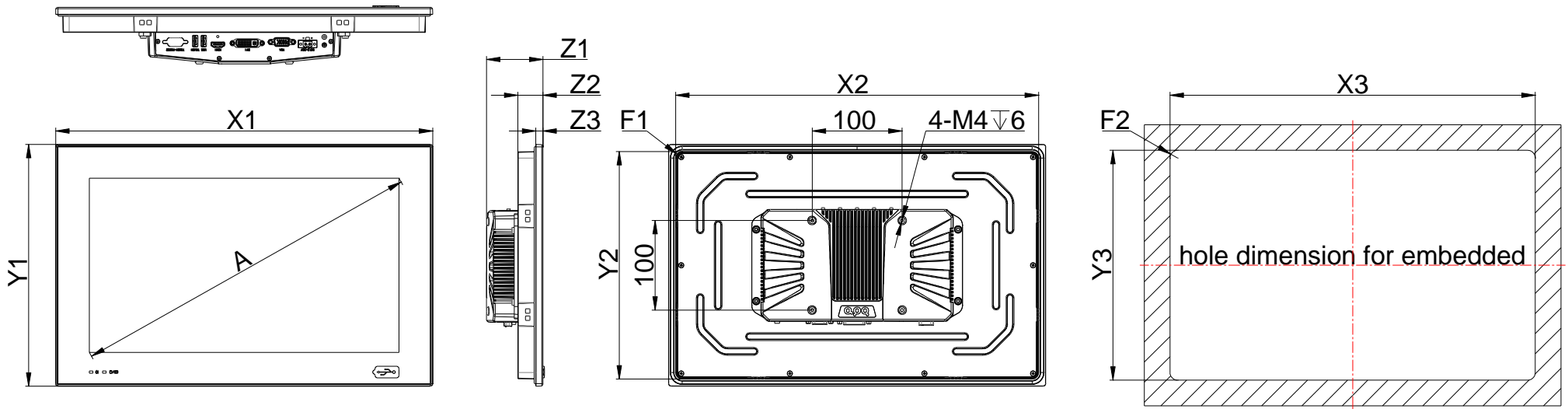
Touch

- **Touch Type** Five-wire analog resistive
- **Controller** USB signal
- **Input** Finger/Touch pen
- **Light Transmission** ≥78%
- **Hardness** ≥3H
- **Click lifetime** 100gf, 10 million times
- **Stroke lifetime** 100gf, 1 million times
- **Response time** ≤15ms

Display Panel

Model	L101RQ	L104RQ	L121RQ	L150RQ	L156RQ	L170RQ	L185RQ	L191RQ	L215RQ
Display Size	10.1"	10.4"	12.1"	15.0"	15.6"	17.0"	18.5"	19.0"	21.5"
Display Type	WXGA TFT-LCD	XGA TFT-LCD	XGA TFT-LCD	XGA TFT-LCD	FHD TFT-LCD	SXGA TFT-LCD	WXGA TFT-LCD	WXGA TFT-LCD	FHD TFT-LCD
Max. Resolution	1280 x 800	1024 x 768	1024 x 768	1024 x 768	1920 x 1080	1280 x 1024	1366 x 768	1440 x 900	1920 x 1080
Luminance	400 cd/m2	350 cd/m2	350 cd/m2	300 cd/m2	350 cd/m2	250 cd/m2	250 cd/m2	250 cd/m2	250 cd/m2
Aspect Ratio	16:10	4:3	4:3	4:3	16:9	5:4	16:9	16:10	16:9
Viewing Angle	89/89/89/89	88/88/88/88	80/80/80/80	88/88/88/88	89/89/89/89	85/85/80/80	89/89/89/89	85/85/80/80	89/89/89/89
Max. Color	16.7M	16.2M	16.7M	16.7M	16.7M	16.7M	16.7M	16.7M	16.7M
Backlight Lifetime	20,000 hrs	50,000 hrs	30,000 hrs	70,000 hrs	50,000 hrs	30,000 hrs	30,000 hrs	30,000 hrs	50,000 hrs
Contrast Ratio	800:1	1000:1	800:1	2000:1	800:1	1000:1	1000:1	1000:1	1000:1
Operating Temperature	-20~60°C	-20~70°C	-20~70°C	-20~70°C	-20~70°C	0~50°C	0~50°C	0~50°C	0~60°C
Storage Temperature	-20~60°C	-20~70°C	-30~80°C	-30~70°C	-30~70°C	-20~60°C	-20~60°C	-20~60°C	-20~60°C
Weight	Net:2.1 kg, Total:4.3 kg	Net:2.5kg, Total:4.7 kg	Net:2.9kg, Total:5.3 kg	Net:4.3kg, Total:6.8 kg	Net:4.5kg, Total:6.9kg	Net:5kg, Total:7.6 kg	Net:5.1kg, Total:8.2 kg	Net:5.5kg, Total:8.3 kg	Net:5.8kg, Total:8.8 kg
Dimensions (L*W*H,Unit:mm)	272.1*192.7*63	284*231.2*63	321.9*260.5*63	380.1*304.1*63	420.3*269.7*63	414*346.5*63	485.7*306.3*63	484.6*332.5*63	550*344*63

Product Dimensions



A	System Dimension				Panel Mount						
	X1	Y1	Z1	X2	Y2	Z2	X3	Y3	Z3	F1	F2
10.1"	272.1	192.7	63	260.9	181.5	28	262.5	183.1	8	6.9	7.8
10.4"	284	231.2	63	268.1	215.3	28	269.9	217.1	8	7.1	8.5
12.1"	321.9	260.5	63	307	245.6	28	309.8	248.4	8	7.1	8.5
15.0"	380.1	304.1	63	364.2	288.2	28	367	291	8	7.1	8.5
15.6"	420.3	269.7	63	404.5	253.8	28	407.3	256.6	8	7.1	8.5
17.0"	414	346.5	63	398.2	330.6	28	401	333.4	8	7.1	8.5
18.5"	485.7	306.3	63	469.8	290.4	28	472.6	293.2	8	7.1	8.5
19.0"	484.6	332.5	63	468.7	316.6	28	471.5	319.4	8	7.1	8.5
21.5"	550	344	63	538.7	327.7	28	539.5	330.9	8	7.1	8.5

Product I/O

