

### Features:

- Full-screen resistive touchscreen design
- Modular design 10.1~21.5" selectable, supports square/wide screen
- Front panel meets IP65 requirements
- Front panel integrates USB Type-A and signal indicator lights
- Utilizes Intel® 11th-U mobile platform CPU
- Integrates dual Intel® Gigabit network cards
- Supports dual hard drive storage, with 2.5" hard drives featuring a pull-out design
- Supports APQ aDoor module expansion
- Supports WiFi/4G wireless expansion
- Fanless design with detachable heatsink
- Embedded/VESA mounting
- 12~28V DC power supply



Remote Management



Status Monitoring



Remote Operations and Maintenance



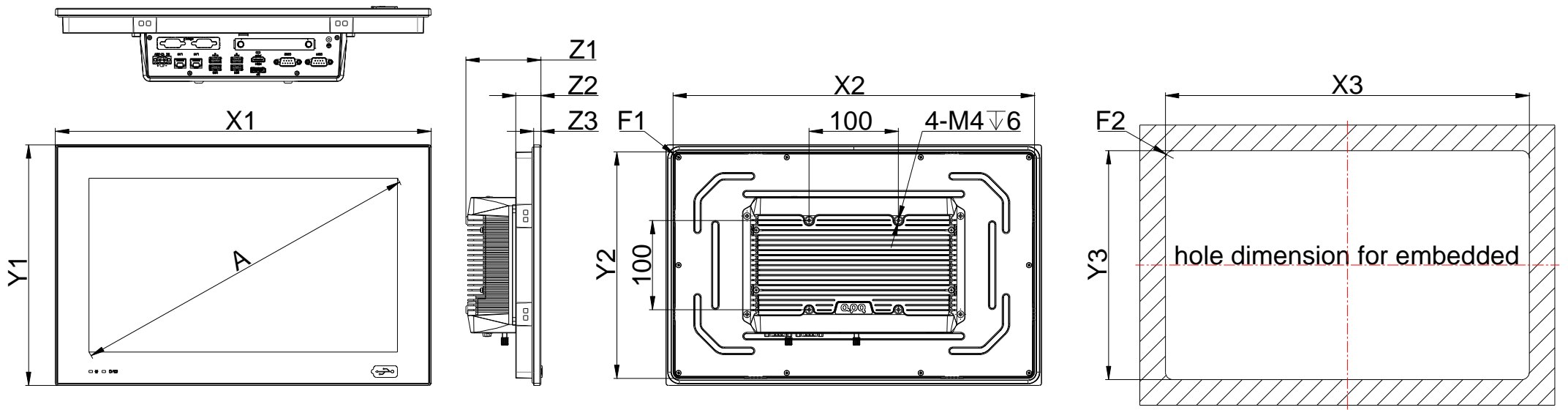
Security Control

## Product Specifications

Model	PL101RQ-E6	PL104RQ-E6	PL121RQ-E6	PL150RQ-E6	PL156RQ-E6	PL170RQ-E6	PL185RQ-E6	PL191RQ-E6	PL215RQ-E6	
<b>LCD</b>	Display Size	10.1"	10.4"	12.1"	15.0"	15.6"	17.0"	18.5"	19.0"	21.5"
	Display Type	WXGA TFT-LCD	XGA TFT-LCD	XGA TFT-LCD	XGA TFT-LCD	FHD TFT-LCD	SXGA TFT-LCD	WXGA TFT-LCD	WXGA TFT-LCD	FHD TFT-LCD
	Max.Resolution	1280 x 800	1024 x 768	1024 x 768	1024 x 768	1920 x 1080	1280 x 1024	1366 x 768	1440 x 900	1920 x 1080
	Luminance	400 cd/m2	350 cd/m2	350 cd/m2	300 cd/m2	350 cd/m2	250 cd/m2	250 cd/m2	250 cd/m2	250 cd/m2
	Aspect Ratio	16:10	4:3	4:3	4:3	16:9	5:4	16:9	16:10	16:9
	Viewing Angle	89/89/89/89°	88/88/88/88°	80/80/80/80°	88/88/88/88°	89/89/89/89°	85/85/80/80°	89/89/89/89°	85/85/80/80°	89/89/89/89°
	Max. Color	16.7M	16.2M	16.7M	16.7M	16.7M	16.7M	16.7M	16.7M	16.7M
	Backlight Lifetime	20,000 hr	50,000 hr	30,000 hr	70,000 hr	50,000 hr	30,000 hr	30,000 hr	30,000 hr	50,000 hr
	Contrast Ratio	800:1	1000:1	800:1	2000:1	800:1	1000:1	1000:1	1000:1	1000:1
	<b>Touchscreen</b>	Touch Type	5-wire resistive touch							
Controller		USB signal								
Input		Finger/Touch pen								
Light Transmission		≥78%								
Hardness		≥3H								
Click lifetime		100gf, 10 million times								
Stroke lifetime		100gf, 1 million times								
<b>Processor System</b>	Response time	≤15ms								
	CPU	Intel® 11 <sup>th</sup> Generation Core™ i3/i5/i7 Mobile -U CPU								
	Chipset	SOC								
<b>Memory</b>	BIOS	AMI EFI BIOS								
	Socket	2 * DDR4-3200 MHz SO-DIMM Slot								
<b>Graphics</b>	Max Capacity	64GB								
	Controller	Intel® UHD Graphics/Intel® Iris® Xe Graphics (dependent on CPU type)								
<b>Ethernet</b>	Controller	1 * Intel® i210AT (10/100/1000/2500 Mbps, RJ45) 1 * Intel® i219 (10/100/1000 Mbps, RJ45)								
	SATA	1 * SATA3.0 Connector								
<b>Storage</b>	M.2	1 * M.2 Key-M (SSD, 2280, NVMe+SATA3.0)								
	aDoor	2 * aDoor Expansion Slot								
	aDoor Bus	1 * aDoor Bus (16*GPIO + 4*PCIe + 1*I2C)								
<b>Expansion Slots</b>	Mini PCIe	1 * Mini PCIe Slot (PCIe x1+USB 2.0, with Nano SIM Card) 1 * Mini PCIe Slot (PCIe x1+USB 2.0)								
	USB	2 * USB3.2 Gen2x1 (Type-A) 2 * USB3.2 Gen1x1 (Type-A)								
	Ethernet	2 * RJ45								
	Display	1 * DP: up to 4096x2304@60Hz 1 * HDMI (Type-A): up to 3840x2160@24Hz								
<b>Front I/O</b>	Serial	2 * RS232/485 (COM1/2, DB9/M, BIOS control)								
	Switch	1 * AT/ATX Mode Switch (Enable/Disable automatically power on)								
	Button	1 * Reset (hold down 0.2 to 1s to restart, 3s to clear CMOS) 1 * OS Rec (system recovery)								
	Power	1 * Power Input Connector (12~28V)								
	USB	1 * Type-C								
	SIM	1 * Nano SIM Card Slot (Mini PCIe module provide functional support)								
<b>Rear I/O</b>	Button	1 * Power Button+Power LED 1 * PS_ON								
	Audio	1 * 3.5mm Audio Jack (LineOut+MIC, CTIA)								
	Front Panel	1 * Front Panel (wafer, 3x2Pin, PHD2.0)								
	FAN	1 * CPU FAN (4x1Pin, MX1.25) 1 * SYS FAN (4x1Pin, MX1.25)								
<b>Internal I/O</b>	Serial	1 * COM3/4 (5x2Pin, PHD2.0) 1 * COM5/6 (5x2Pin, PHD2.0)								
	USB	4 * USB2.0 (2*5x2Pin, PHD2.0)								
	LPC	1 * LPC (8x2Pin, PHD2.0)								
	Storage	1 * SATA3.0 7Pin Connector 1 * SATA Power								
	Audio	1 * Speaker (2-W (per channel)/8-Ω Loads, 4x1Pin, PH2.0)								
	GPIO	1 * 16bits DIO (8xDI and 8xDO, 10x2 Pin, PHD2.0)								
	Type	DC								
<b>Power Supply</b>	Power Input Voltage	12~28VDC								
	Connector	1 * 2Pin Power Input Connector (P=5.08mm)								
	RTC Battery	CR2032 Coin Cell								
<b>OS Support</b>	Windows	Windows 10								
	Linux	Linux								
<b>Watchdog</b>	Output	System Reset								
	Interval	Programmable 1 ~ 255 sec								
<b>Mechanical</b>	Enclosure Material	Radiator/Panel: Aluminum, Box/Cover: SGCC								
	Mounting	VESA, embedded								
	Dimensions (L * W * H, Unit: mm)	272.1*192.7*84	284*231.2*84	321.9*260.5*84	380.1*304.1*85	420.3*269.7*84	414*346.5*84	485.7*306.3*84	484.6*332.5*84	550*344*84
<b>Environment</b>	Weight	Net: 3.2Kg, Total:4.5Kg	Net: 3.4Kg, Total:4.7Kg	Net: 3.6Kg, Total:4.9Kg	Net: 5Kg, Total:6.6Kg	Net: 4.9Kg, Total:6.5Kg	Net: 5.7Kg, Total:7.3Kg	Net: 5.6Kg, Total:7.2Kg	Net: 6.5Kg, Total:8.1Kg	Net: 7Kg, Total:8.6Kg
	Heat Dissipation System	Passive heat dissipation								
Operating Temperature	-20~60℃	-20~60℃	-20~60℃	-20~60℃	-20~60℃	0~50℃	0~50℃	0~50℃	0~60℃	

Storage Temperature	-20~60℃	-20~70℃	-30~80℃	-30~70℃	-30~70℃	-20~60℃	-20~60℃	-20~60℃	-20~60℃
Relative Humidity	10 to 95% RH (non-condensing)								
Vibration During Operation	With SSD: IEC 60068-2-64 (1Grms@5~500Hz, random, 1hr/axis)								
Shock During Operation	With SSD: IEC 60068-2-27 (15G, half sine, 11ms)								

## Product Dimensions



A	System Dimension			Panel Mount							
	X1	Y1	Z1	X2	Y2	Z2	X3	Y3	Z3	F1	F2
10.1"	272.1	192.7	84	260.9	181.5	28	262.5	183.1	8	6.9	7.8
10.4"	284	231.2	84	268.1	215.3	28	269.9	217.1	8	7.1	8.5
12.1"	321.9	260.5	84	307	245.6	28	309.8	248.4	8	7.1	8.5
15.0"	380.1	304.1	84	364.2	288.2	28	367	291	8	7.1	8.5
15.6"	420.3	269.7	84	404.5	253.8	28	407.3	256.6	8	7.1	8.5
17.0"	414	346.5	84	398.2	330.6	28	401	333.4	8	7.1	8.5
18.5"	485.7	306.3	84	469.8	290.4	28	472.6	293.2	8	7.1	8.5
19.0"	484.6	332.5	84	468.7	316.6	28	471.5	319.4	8	7.1	8.5
21.5"	550	344	84	538.7	327.7	28	539.5	330.9	8	7.1	8.5

## Product I/O

