

# Wall-mounted chassis (7 slots) IPC350



## Features:

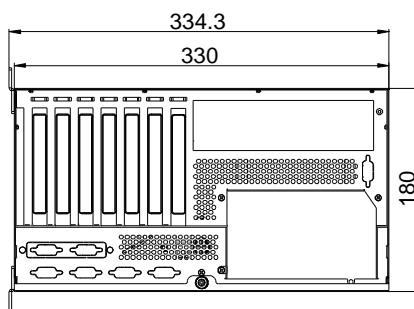
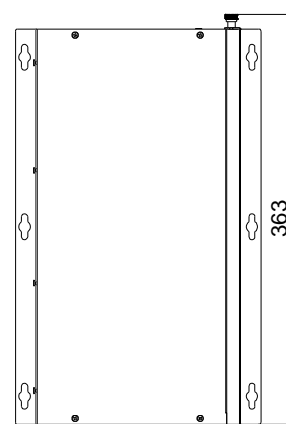
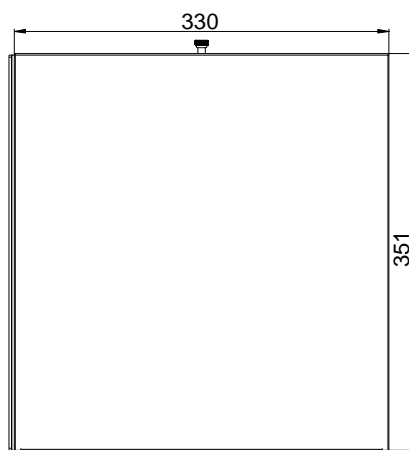
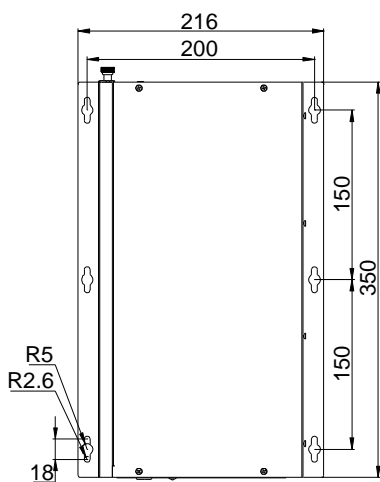
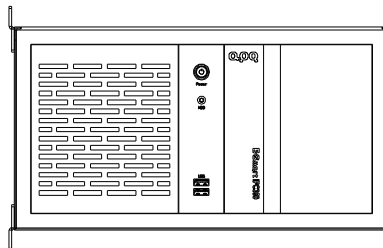
- Compact 7-slot wall-mounted chassis
- Entirely metal design for enhanced reliability
- Can install standard ATX motherboards, supports standard ATX power supplies
- 7 full-height card expansion slots, meeting the application needs of various industries
- Carefully designed tool-free PCIe expansion card holder with enhanced shock resistance
- 2 shock and impact-resistant 3.5-inch hard drive bays
- Front panel USB, power switch design, and power and storage status indicators for easier system maintenance

## Product Specifications

Model	IPC350	
Processor System	SBC form factor	Supports motherboards with 12" x 9.6" and below sizes
	PSU Type	ATX
	Driver Bays	2 * 3.5" drive bays
	Cooling Fans	1 * PWM Smart FAN (12025, Rear)
	USB	2 * USB 2.0 (Type-A, Rear I/O)
	Expansions Slots	7 * PCI/PCIe full-height expansion slots
	Button	1 * Power Button
	LED	1 * Power status LED 1 * Hard drive status LED
	Optional	5 * DB9 knock out holes (Front I/O) 1 * aDoor knock out holes (Front I/O)
Mechanical	Enclosure Material	SGCC
	Surface technology	Baking paint
	Color	Flash Silver
	Dimensions	330mm (W) x 350mm (D) x 180mm (H)
	Weight	Net.: 4 kg
	Mounting	Wall mounted, Desktop
Environment	Operating Temperature	-20 ~ 60°C
	Storage Temperature	-40 ~ 80°C
	Relative Humidity	5 to 95% RH (non-condensing)

# Product Dimensions

## IPC350 立放



Product I/O

# IPC350立放

