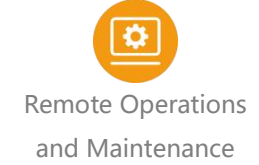
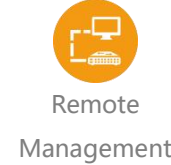




### Features:

- Resistive Touchscreen Design
- Modular Design: Available in 17" or 19", supports both square and widescreen options
- Front Panel: Meets IP65 requirements, integrates USB Type-A and signal indicator lights
- Processor: Utilizes Intel® J6412/N97/N305 low-power CPUs
- Network: Integrated dual Intel® Gigabit Ethernet ports
- Storage: Dual hard drive storage support
- Expansion: Supports APQ aDoor module expansion and WiFi/4G wireless expansion
- Design: Fanless design
- Mounting Options: Supports rack-mounted and VESA mounting
- Power Supply: 12~28V DC wide voltage power supply

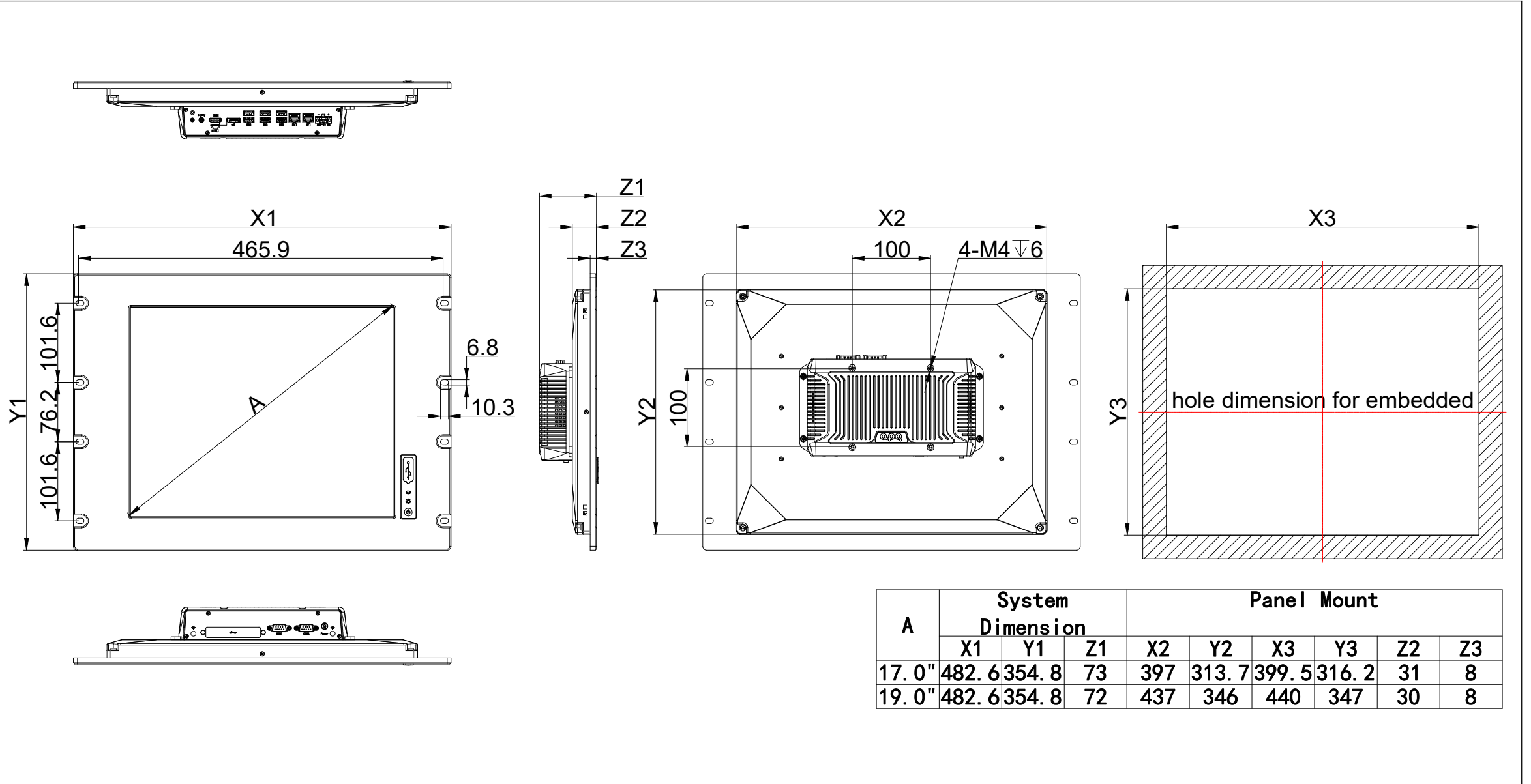


## Product Specifications

Model	PG170RF-E5S		PG190RF-E5S
LCD	Display Size	17.0"	19.0"
	Max.Resolution	1280 x 1024	1280 x 1024
	Luminance	250 cd/m2	250 cd/m2
	Aspect Ratio	5:4	5:4
	Viewing Angle	85/85/80/80°	85/85/80/80°
	Max. Color	16.7M	16.7M
	Backlight Lifetime	30,000 hr	30,000 hr
	Contrast Ratio	1000:1	1000:1
Touchscreen	Touch Type	5-wire resistive touch	
	Controller	USB signal	
	Input	Finger/Touch pen	
	Light Transmission	≥78%	
	Hardness	≥3H	
	Click lifetime	100gf, 10 million times	
	Stroke lifetime	100gf, 1 million times	
Response time	≤15ms		
Processor System	CPU	Intel® Elkhart Lake J6412	Intel® Alder Lake N97
	Base Frequency	2.00 GHz	2.0 GHz
	Max Turbo Frequency	2.60 GHz	3.60 GHz
	Cache	1.5MB	6MB
	Total Cores/Threads	4/4	4/4
	Chipset	SOC	
	BIOS	AMI UEFI BIOS	
Memory	Socket	LPDDR4 3200 MHz (Onboard)	
	Capacity	8GB	
Graphics	Controller	Intel® UHD Graphics	
Ethernet	Controller	2 * Intel® i210-AT (10/100/1000 Mbps, RJ45)	
Storage	SATA	1 * SATA3.0 Connector (2.5-inch hard disk with 15+7Pin)	
	M.2	1 * M.2 Key-M Slot (SATA SSD, 2280)	
Expansion Slots	aDoor	1 * aDoor	
	Mini PCIe	1 * Mini PCIe Slot (PCIe+USB2.0)	
Front I/O	USB	4 * USB3.0 (Type-A) 2 * USB2.0 (Type-A)	
	Ethernet	2 * RJ45	
	Display	1 * DP++: max resolution up to 4096x2160@60Hz 1 * HDMI (Type-A): max resolution up to 2048x1080@60Hz	
	Audio	1 * 3.5mm Jack (Line-Out + MIC, CTIA)	
	SIM	1 * Nano-SIM Card slot (Mini PCIe module provides functional support)	
	Power	1 * Power Input Connector (12~28V)	
Rear I/O	Button	1 * Power Button with Power LED	
	Serial	2 * RS232/485 (COM1/2, DB9/M, BIOS control)	
Internal I/O	Front Panel	1 * Front Panel (3x2Pin, PHD2.0)	
	FAN	1 * SYS FAN (4x1Pin, MX1.25)	
	Serial	2 * COM (JCOM3/4, 5x2Pin, PHD2.0) 2 * COM (JCOM5/6, 5x2Pin, PHD2.0)	
	USB	2 * USB2.0 (F_USB2_1, 5x2Pin, PHD2.0) 2 * USB2.0 (F_USB2_2, 5x2Pin, PHD2.0)	
	Display	1 * LVDS/eDP (default LVDS, wafer, 25x2Pin 1.00mm)	
	Audio	1 * Speaker (2-W (per channel)/8-Ω Loads, 4x1Pin, PH2.0)	
	GPIO	1 * 16bits DIO (8xDI and 8xDO, 10x2Pin, PHD2.0)	
	LPC	1 * LPC (8x2Pin, PHD2.0)	
Power Supply	Type	DC	
	Power Input Voltage	12~28VDC	
	Connector	1 * 2Pin Power Input Connector (12~28V, P= 5.08mm)	
	RTC Battery	CR2032 Coin Cell	
OS Support	Windows	Windows 10/11	
	Linux	Linux	
Watchdog	Output	System Reset	
	Interval	Programmable 1 ~ 255 sec	
Mechanical	Enclosure Material	Radiator/Panel: Aluminum, Box/Cover: SGCC	
	Mounting	Rack-mount, VESA, embedded	
	Dimensions	482.6mm(L) * 354.8mm(W) * 73mm(H)	482.6mm(L) * 354.8mm(W) * 72mm(H)
	Weight	Net: 5.7kg, Total: 8.7kg	Net: 7.1kg, Total: 10.3kg
Environment	Heat Dissipation System	Passive heat dissipation	
	Operating Temperature	0~50°C	
	Storage Temperature	-20~60°C	

Relative Humidity	10 to 95% RH (non-condensing)
Vibration During Operation	With SSD: IEC 60068-2-64 (1Grms@5~500Hz, random, 1hr/axis)
Shock During Operation	With SSD: IEC 60068-2-27 (15G, half sine, 11ms)

## Product Dimensions



## Product I/O

