

Features:

- Aluminum alloy mold forming
- Supports Intel® 4th/5th Generation Core/Pentium/Celeron Desktop CPU
- Installs standard ITX motherboard, supports standard 1U power supply
- Optional adapter card, supports 2PCI or 1PCIe X16 expansion
- Default design includes one 2.5-inch 7mm shock and impact-resistant hard drive bay
- Front panel power switch design, power and storage status display, easier for system maintenance
- Supports multi-directional wall-mounted and desktop installations



Remote Management



Status Monitoring



Remote Operations and Maintenance

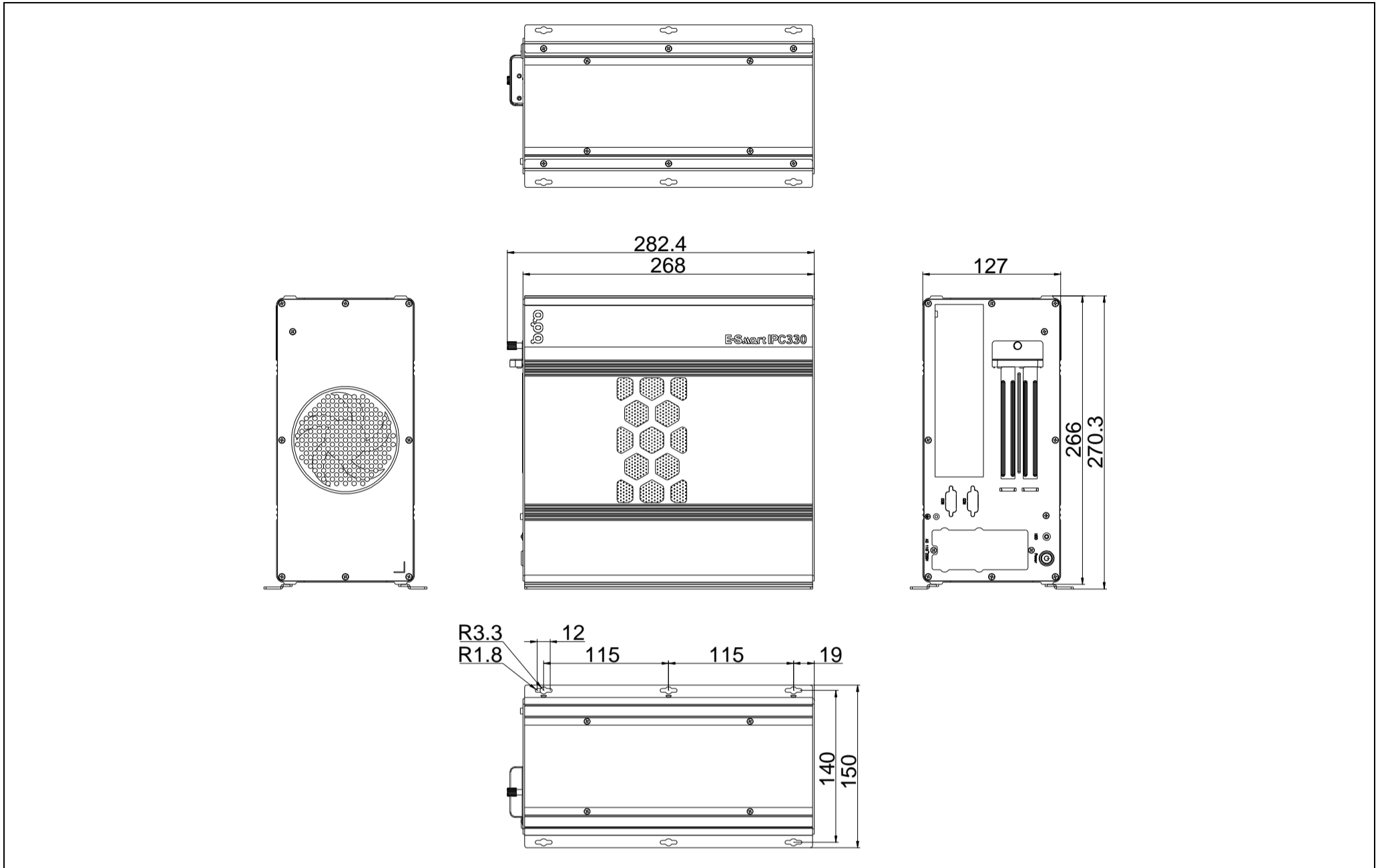


Security Control

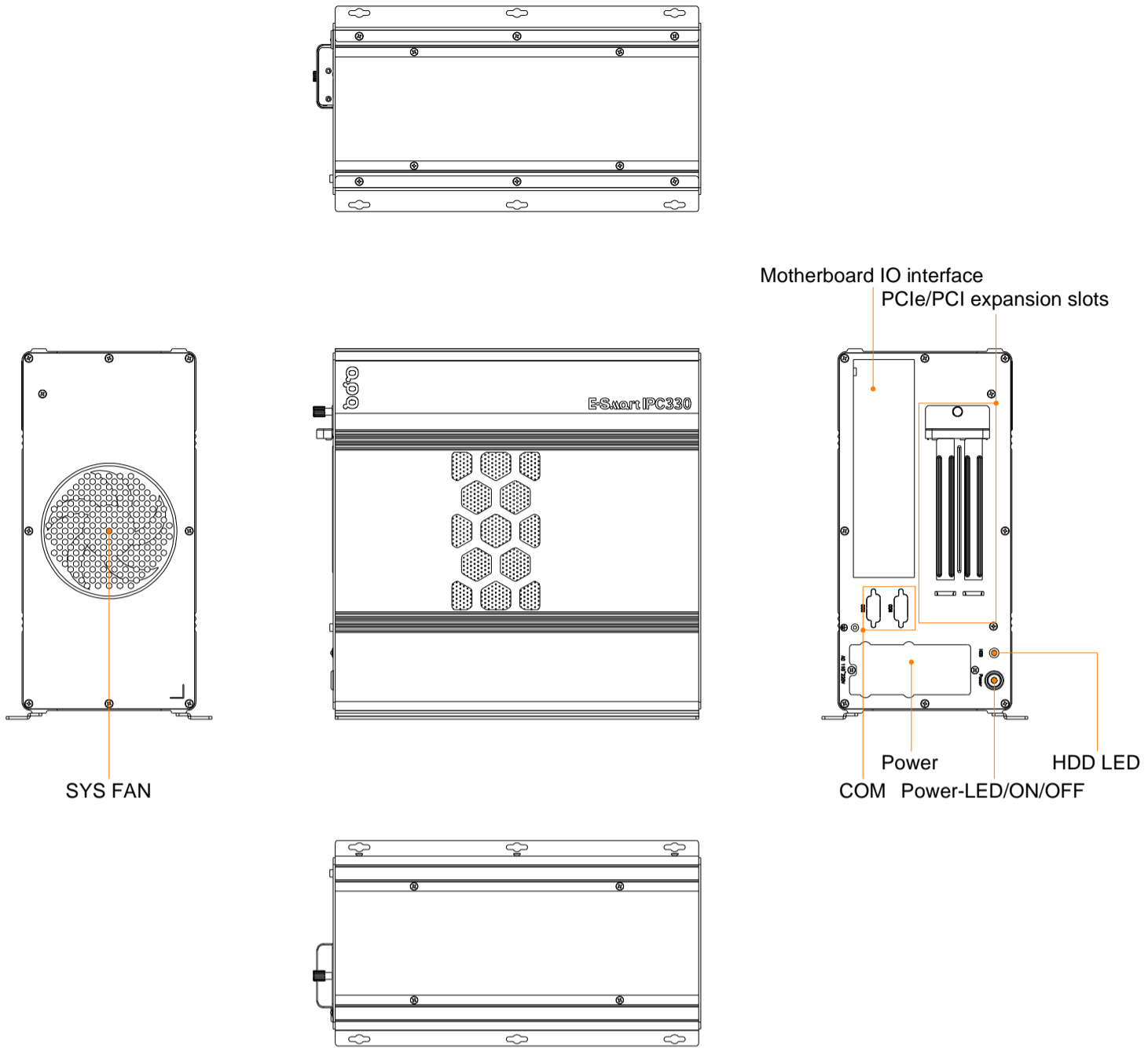
Product Specifications

Model	IPC330D-H81L5	
Processor System	CPU	Support Intel® 4/5th Generation Core / Pentium/ Celeron Desktop CPU
	TDP	95W
	Socket	LGA1150
	Chipset	H81
	BIOS	AMI 256 Mbit SPI
Memory	Socket	2 * Non-ECC SO-DIMM Slot, Dual Channel DDR3 up to 1600MHz
	Capacity	16GB, Single Max. 8GB
Graphics	Controller	Intel® HD Graphics
Ethernet	Controller	4 * Intel i210-AT GbE LAN Chip (10/100/1000 Mbps, with PoE Power socket) 1 * Intel i218-LM/V GbE LAN Chip (10/100/1000 Mbps)
	Storage	1 * SATA3.0 7P Connector, up to 600MB/s 1 * SATA2.0 7P Connector, up to 300MB/s
Expansion Slots	PCIe	1 * PCIe x16 slot (Gen 2, x16 signal)
	Mini PCIe	1 * Mini PCIe (PCIe x1 Gen 2 + USB2.0, with 1 * SIM Card, Share slot with mSATA, Opt.)
Front I/O	Ethernet	5 * RJ45
	USB	2 * USB3.0 (Type-A, 5Gbps, Each group of two ports Max. 3A, one port Max. 2.5A) 4 * USB2.0 (Type-A, Each group of two ports Max. 3A, one port Max. 2.5A)
	Display	1 * DP: max resolution up to 3840*2160 @ 60Hz 1 * HDMI1.4: max resolution up to 2560*1440 @ 60Hz
	Audio	3 * 3.5mm Jack (Line-out + Line-in + MIC)
	Serial	2 * RS232/422/485 (COM1/2, DB9/M, Full Lanes, BIOS Switch)
	Button	1 * Power Button
	LED	1 * Power status LED 1 * Hard drive status LED
Internal I/O	USB	2 * USB2.0 (Header)
	COM	4 * RS232 (COM3/4/5/6, Header, Full Lanes)
	Display	1 * eDP: max resolution up to 1920*1200 @ 60Hz (Header)
	Serial	4 * RS232 (COM3/4/5/6, Header)
	GPIO	1 * 8 bits DIO (4xDI and 4xDO, wafer)
	SATA	1 * SATA3.0 7P Connector 1 * SATA2.0 7P Connector
	FAN	1 * CPU FAN (Header) 1 * SYS FAN (Header)
	Front Panel	1 * Front Panel (Header)
Power Supply	Type	1U FLEX
	Power Input Voltage	AC power supply, voltage and frequency shall be based on the 1U FLEX power supply provided
	RTC Battery	CR2032 Coin Cell
OS Support	Windows	Windows 7/10/11
	Linux	Linux
Watchdog	Output	System Reset
	Interval	Programmable 1 ~ 255 sec
Mechanical	Enclosure Material	SGCC+Al6061
	Dimensions	266mm * 127mm * 268mm
	Mounting	Wall mounted, Desktop
Environment	Heat Dissipation System	PWM fan cooling
	Operating Temperature	0 ~ 60°C
	Storage Temperature	-20 ~ 75°C

Product Dimensions



Chassis Interface



Motherboard Interface

