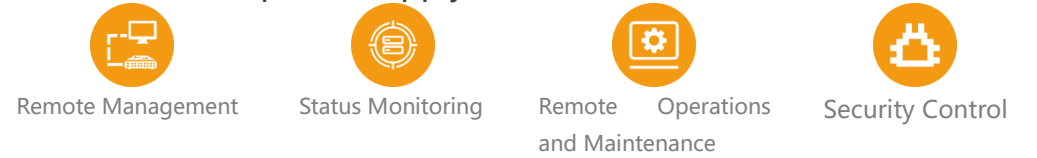




Features:

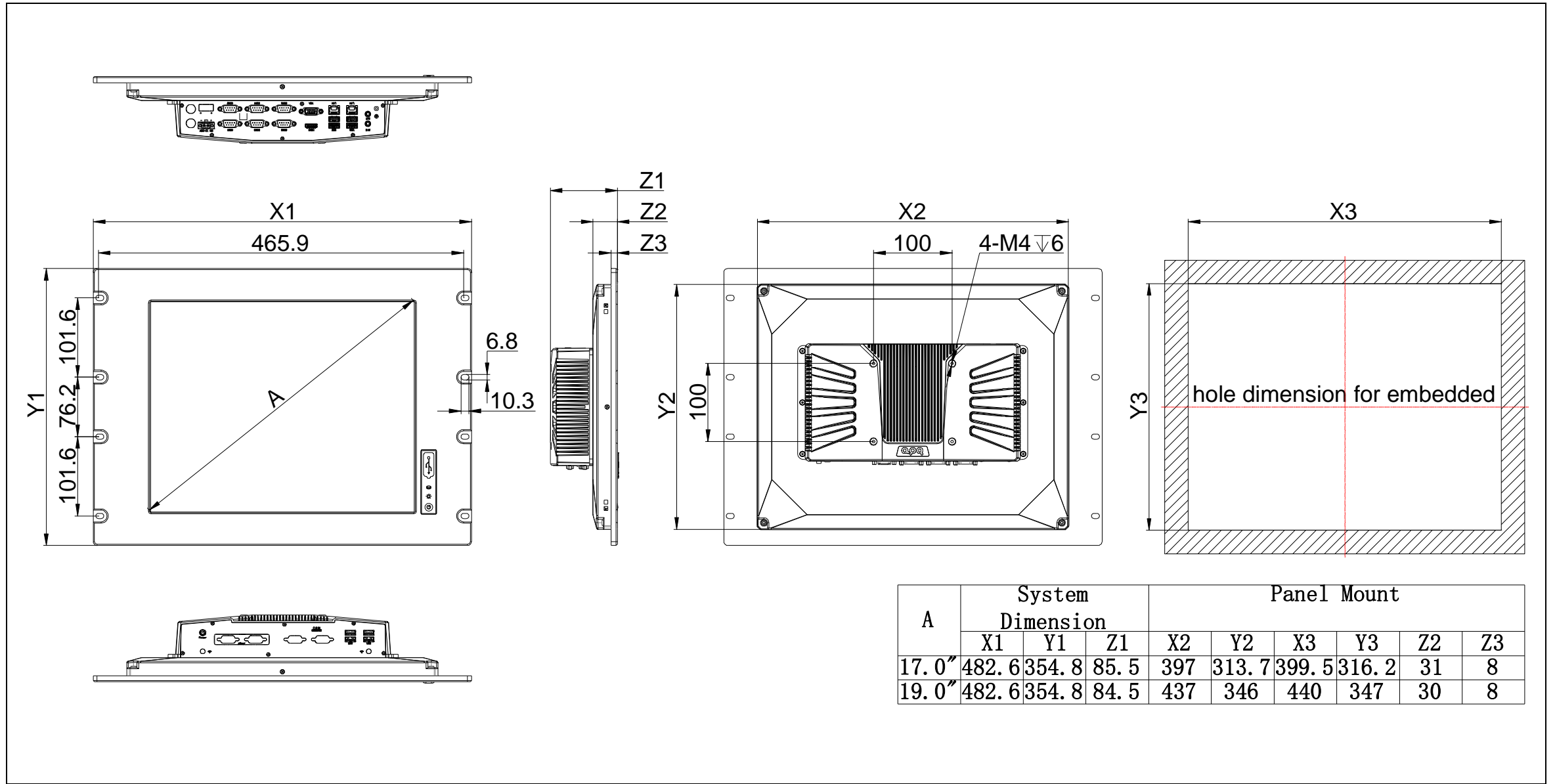
- Resistive touchscreen design
- Modular design, 17/19" options available, supports both square and widescreen displays
- Front panel meets IP65 requirements
- Front panel integrates USB Type-A and signal indicator lights
- Utilizes the Intel® Celeron® J1900 ultra-low power CPU
- Onboard 6 COM ports, supporting two isolated RS485 channels
- Integrated dual Intel® Gigabit network cards
- Supports dual hard drive storage
- Compatible with APQ MXM COM/GPIO module expansion
- Supports WiFi/4G wireless expansion
- Rack-mount/VESA mounting options
- 12~28V DC power supply



Product Specifications

Model	PG170RF-E5M	PG190RF-E5M		
LCD	Display Size	17.0"	19.0"	
	Display Type	SXGA TFT-LCD	SXGA TFT-LCD	
	Max.Resolution	1280 x 1024	1280 x 1024	
	Luminance	250 cd/m2	250 cd/m2	
	Aspect Ratio	5:4	5:4	
	Viewing Angle	85/85/80/80°	89/89/89/89°	
	Max. Color	16.7M	16.7M	
	Backlight Lifetime	30,000 hr	30,000 hr	
Contrast Ratio	1000:1	1000:1		
Touchscreen	Touch Type	5-Wire Resistive Touch		
	Controller	USB signal		
	Input	Finger/Touch pen		
	Light Transmission	≥78%		
	Hardness	≥3H		
	Click lifetime	100gf, 10 million times		
	Stroke lifetime	100gf, 1 million times		
Response time	≤15ms			
Processor System	CPU	Intel® Celeron® J1900		
	Base Frequency	2.00 GHz		
	Max Turbo Frequency	2.42 GHz		
	Cache	2MB		
	Total Cores/Threads	4/4		
	TDP	10W		
	Chipset	SOC		
	BIOS	AMI UEFI BIOS		
Memory	Socket	1 * DDR3L-1333MHz SO-DIMM Slot		
	Max Capacity	8GB		
Graphics	Controller	Intel® HD Graphics		
Ethernet	Controller	2 * Intel® i210-AT (10/100/1000 Mbps, RJ45)		
	SATA	1 * SATA2.0 Connector (2.5-inch hard disk with 15+7pin)		
Storage	M.2	1 * M.2 Key-M Slot (support SATA SSD, 2280)		
	MXM/aDoor	1 * MXM slot (LPC+GPIO, support COM/GPIO MXM card)		
Expansion Slots	Mini PCIe	1 * Mini PCIe Slot (PCIe2.0+USB2.0)		
	USB	1 * USB3.0 (Type-A) 3 * USB2.0 (Type-A)		
Front I/O	Ethernet	2 * RJ45		
	Display	1 * VGA: max resolution up to 1920*1280@60Hz 1 * HDMI: max resolution up to 1920*1280@60Hz		
	Audio	1 * 3.5mm Line-out Jack 1 * 3.5mm MIC Jack		
	Serial	2 * RS232/485 (COM1/2, DB9/M) 4 * RS232 (COM3/4/5/6, DB9/M)		
	Power	1 * 2Pin Power Input Connector (12~28V, P= 5.08mm)		
	USB	4 * USB2.0 (Type-A)		
	SIM	1 * Nano SIM Card slot (Mini PCIe module provides functional support)		
Button	1 * Power Button with LED			
	Front Panel	1 * TFront Panel (3*USB2.0+Front Panel, 10x2Pin, PHD2.0) 1 * Front Panel (3x2Pin, PHD2.0)		
Internal I/O	FAN	1 * SYS FAN (4x1Pin, MX1.25)		
	LPC	1 * LPC (8x2Pin, PHD2.0)		
	PS/2	1 * PS/2 (PS/2 keyboard + mouse, 6x1Pin, PH2.0)		
	USB	2 * USB2.0 (5x2Pin, PH2.0)		
	Power	1 * DCIN (power input, 4x1Pin, XH2.54)		
	Display	1 * LVDS/eDP (Default LVDS, 20x2Pin, PHD2.0)		
	GPIO	1 * 16bits DIO (8xDI and 8xDO, 10x2Pin, PHD2.0)		
	Audio	1 * Front Audio (header, Line-Out + MIC, 5x2Pin 2.54mm) 1 * Speaker (2-W (per channel)/8-Ω Loads, 4x1Pin, PH2.0)		
	Power Supply	Type	DC	
		Power Input Voltage	12~28VDC	
Connector		1 * 2Pin Power Input Connector (12~28V, P= 5.08mm)		
RTC Battery		CR2032 Coin Cell		
OS Support	Windows	Windows 7/8.1/10		
	Linux	Linux		
Watchdog	Output	System Reset		
	Interval	Programmable 1 ~ 255 sec		
Mechanical	Enclosure Material	Radiator/Panel: Aluminum, Box/Cover: SGCC		
	Mounting	Rack-mount, VESA, embedded		
	Dimensions	482.6mm(L) * 354.8mm(W) * 85.5mm(H)	482.6mm(L) * 354.8mm(W) * 84.5mm(H)	
	Weight	Net: 6.5kg, Total: 9.5kg	Net: 7.9kg, Total: 11.1kg	
Environment	Heat Dissipation System	Passive heat dissipation		
	Operating Temperature	0~50°C		
	Storage Temperature	-20~60°C		
	Relative Humidity	10 to 95% RH (non-condensing)		
	Vibration During Operation	With SSD: IEC 60068-2-64 (1Grms@5~500Hz, random, 1hr/axis)		
Shock During Operation	With SSD: IEC 60068-2-27 (15G, half sine, 11ms)			

Product Dimensions



Product I/O

