



Features:

- Compact small 4U chassis
- Supports Intel® 6th to 9th Generation Core/Pentium/Celeron Desktop CPUs
- Installs standard ATX motherboards, supports standard 4U power supplies
- Supports up to 7 full-height card slots for expansion, meeting the application needs of various industries
- User-friendly design, with front-mounted system fans that require no tools for maintenance
- Carefully designed tool-free PCIe expansion card holder with higher shock resistance
- Up to 2 optional 3.5-inch shock and impact-resistant hard drive bays
- Front panel USB, power switch design, and power and storage status indicators for easier system maintenance



Remote Management



Status Monitoring



Remote Operations and Maintenance



Security Control

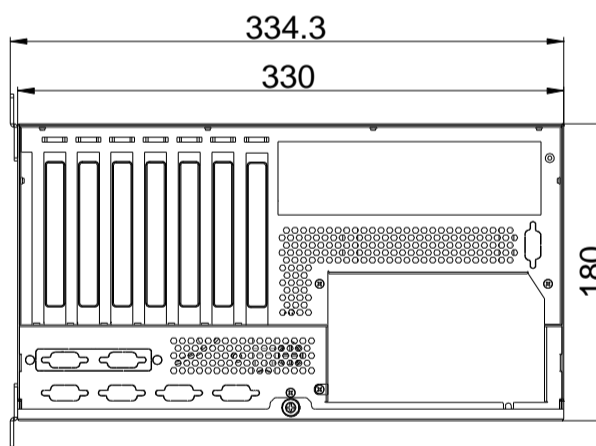
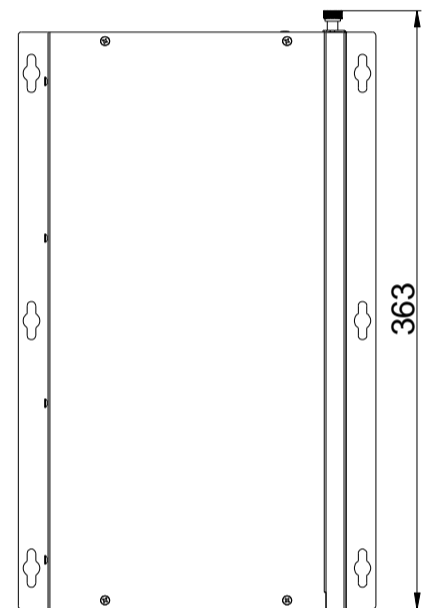
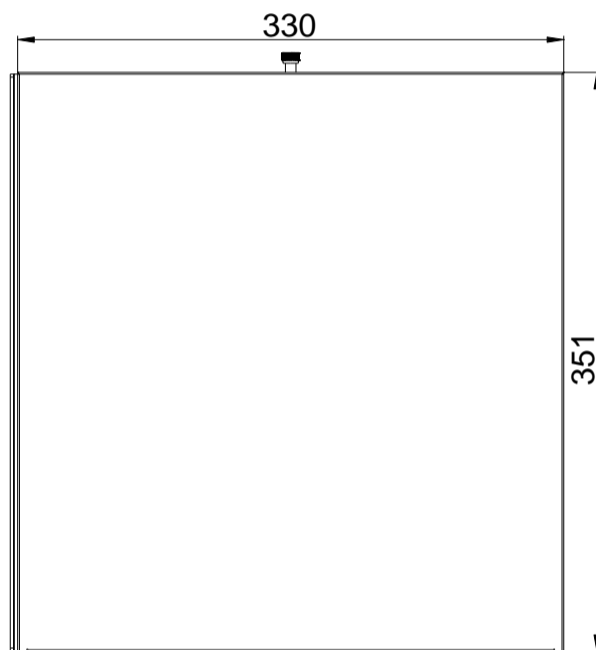
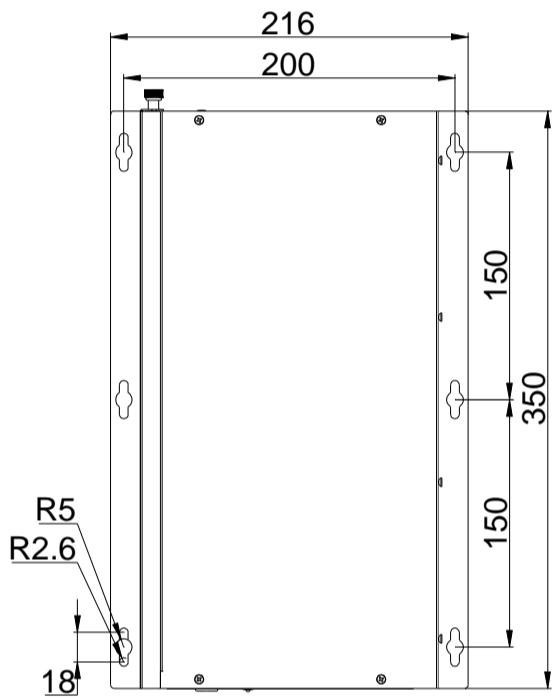
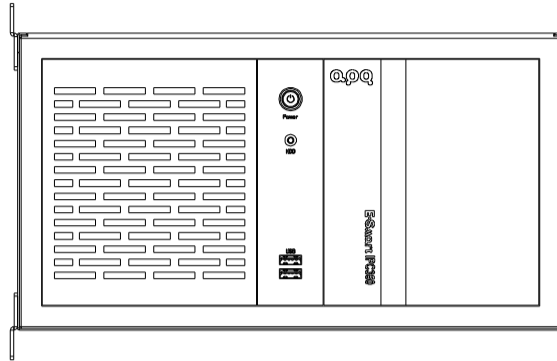
Product Specifications

Model	IPC350-H31C	
Processor System	CPU	Support Intel® 6/7/8/9th Generation Core / Pentium/ Celeron Desktop CPU
	TDP	65W
	Socket	LGA1151
	Chipset	H310C
	BIOS	AMI 256 Mbit SPI
Memory	Socket	2 * Non-ECC U-DIMM Slot, Dual Channel DDR4 up to 2666MHz
	Capacity	64GB, Single Max. 32GB
Graphics	Controller	Intel® UHD Graphics
Ethernet	Controller	1 * Intel i210-AT GbE LAN Chip (10/100/1000 Mbps, RJ45) 1 * Intel i219-LM/V GbE LAN Chip (10/100/1000 Mbps, RJ45)
	Storage	3 * SATA3.0 7P Connector
Expansion Slots	PCIe	1 * PCIe x16 slot (Gen 3, x16 signal) 1 * PCIe x4 slot (Gen 2, x4 signal, Default, co-lay with Mini PCIe)
	PCI	5 * PCI slot
	Mini PCIe	1 * Mini PCIe (PCIe x1 Gen 2 + USB2.0 (Opt., co-lay with PCIe x4 slot), with 1 * SIM Card)
	Front I/O	Ethernet
Front I/O	USB	4 * USB3.2 Gen 1x1 (Type-A) 2 * USB2.0 (Type-A)
	PS/2	1 * PS/2 (Keyboard & Mouse)
	Display	1 * DVI-D: max resolution up to 1920*1200 @ 60Hz 1 * HDMI1.4: max resolution up to 3840*2160 @ 30Hz
	Audio	3 * 3.5mm Jack (Line-out + Line-in + MIC)
	Serial	2 * RS232/422/485 (COM1/2, DB9/M, Full Lanes, BIOS Switch)
	Rear I/O	USB
Button		1 * Power Button
LED		1 * Power status LED 1 * Hard drive status LED
Internal I/O	USB	1 * USB2.0 (Vertical TYEP-A)
	COM	4 * RS232 (COM3/4/5/6, Header, Full Lanes)
	Display	1 * VGA: max resolution up to 1920*1200 @ 60Hz (wafer) 1 * eDP: max resolution up to 1920*1200 @ 60Hz (Header)
	Audio	1 * Front Audio (Line-Out + MIC, Header) 1 * Speaker (3W (per channel) into a 4Ω Loads, wafer)
	GPIO	1 * 16 bits DIO (8DI and 8DO, wafer)
	SATA	3 * SATA 7P Connector
	LPT	1 * LPT (Header)
	FAN	2 * SYS FAN (Header) 1 * CPU FAN (Header)
	Power Supply	Type
Power Input Voltage		AC power supply, voltage and frequency shall be based on the ATX power supply provided
RTC Battery		CR2032 Coin Cell
OS Support	Windows	6/7 th Core™: Windows 7/10/11 8/9 th Core™: Windows 10/11
	Linux	Linux
Watchdog	Output	System Reset
	Interval	Programmable 1 ~ 255 sec
Mechanical	Enclosure Material	SGCC
	Dimensions	330mm(L) * 350mm(W) * 180mm(H)
	Mounting	Wall mounted, Desktop
Environment	Heat Dissipation System	PWM fan cooling

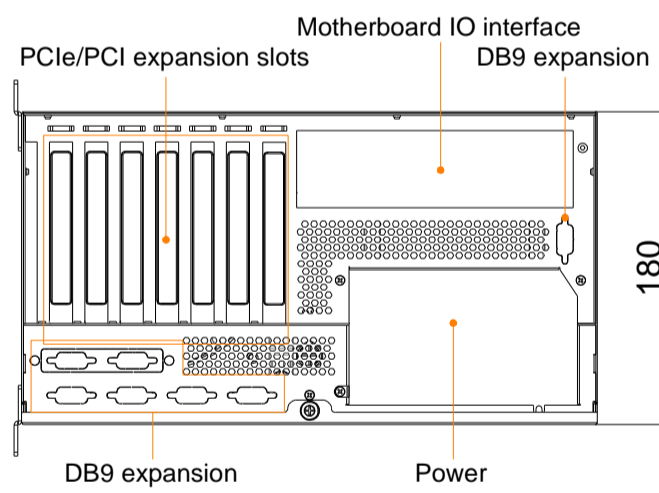
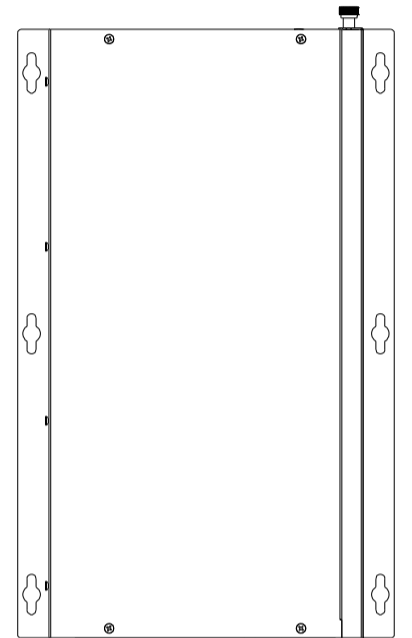
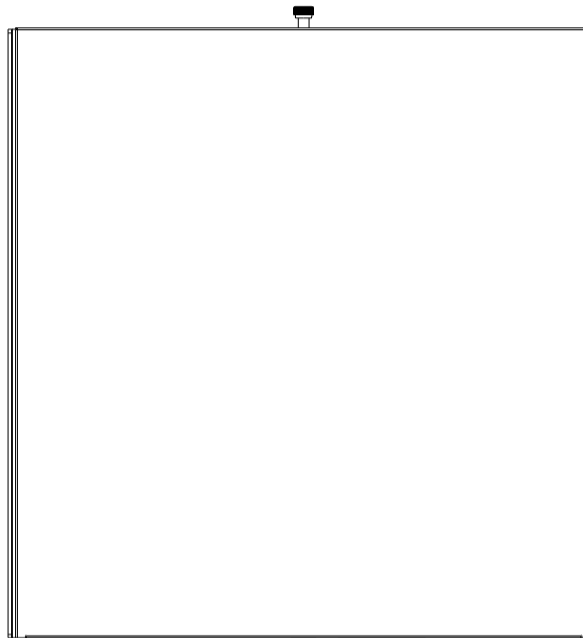
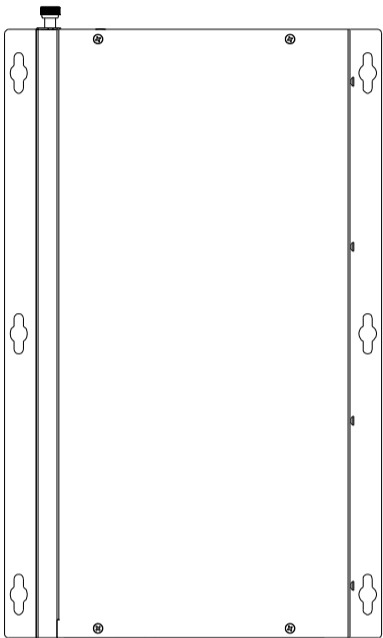
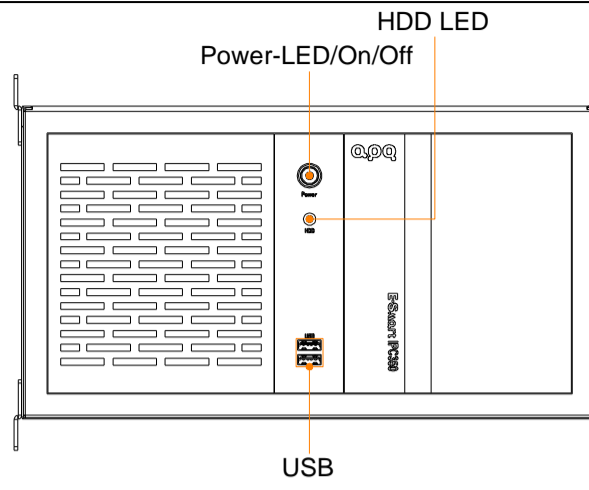
	Operating Temperature	0 ~ 50°C
	Storage Temperature	-20 ~ 70°C
	Relative Humidity	10 to 90% RH (non-condensing)

Product Dimensions

IPC350立放



IPC350立放



Motherboard Interface

