



Features:

- Resistive touchscreen design
- Modular design with 17/19" options available, supports both square and widescreen displays
- Front panel meets IP65 requirements
- Front panel integrates USB Type-A and signal indicator lights
- Supports Intel® 12th/13th Gen Core / Pentium/ Celeron Desktop CPUs, TDP 65W, LGA1700 socket
- Equipped with the Intel® H610 chipset
- Two Intel network interfaces (1*1GbE & 1*2.5GbE)
- Three display outputs: HDMI, DP++ and internal LVDS, supporting up to 4K@60Hz resolution
- Abundant USB, serial port expansion interfaces, and PCIe, mini PCIe, M.2 expansion slots
- Intelligent fan for active cooling
- Rack-mount/VESA mounting options



Remote Management



Status Monitoring



Remote Operations and Maintenance



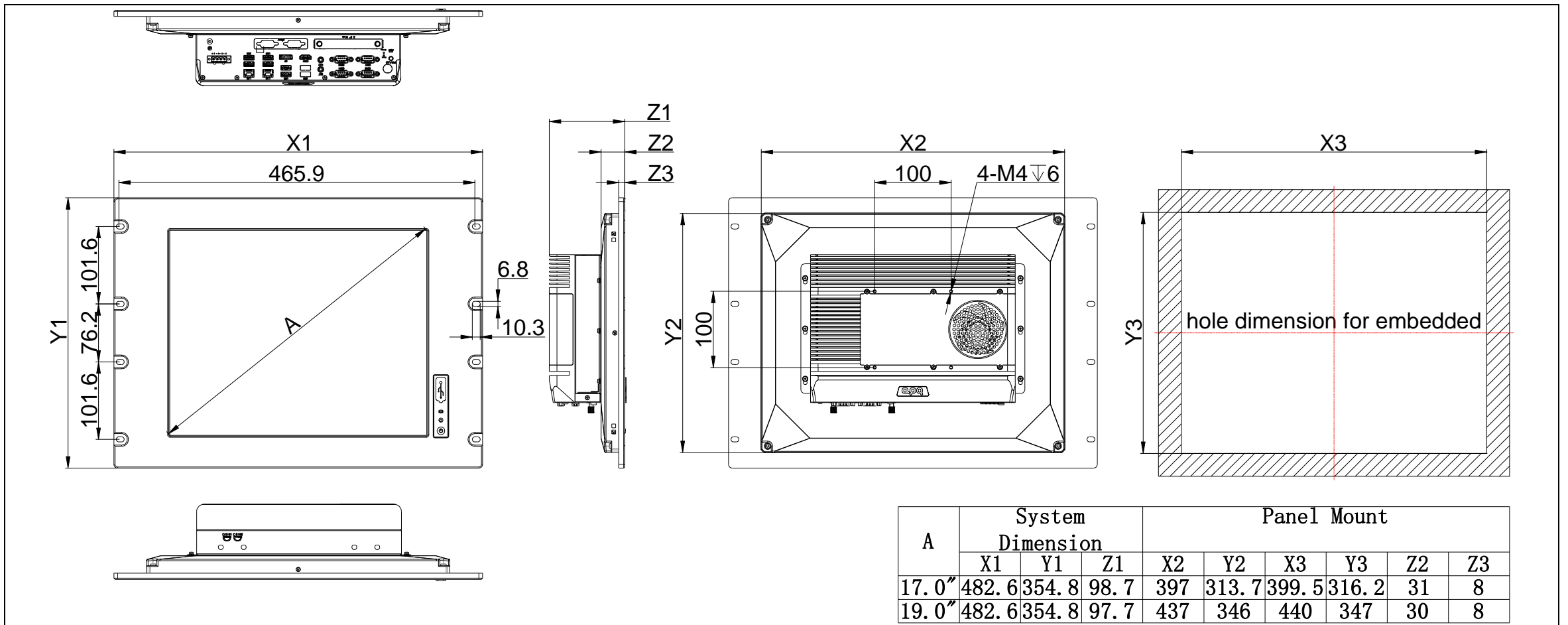
Security Control

Product Specifications

Model	PG170RF-E7S	PG190RF-E7S	
LCD	Display Size	17.0"	19.0"
	Display Type	SXGA TFT-LCD	SXGA TFT-LCD
	Max. Resolution	1280 x 1024	1280 x 1024
	Luminance	250 cd/m2	250 cd/m2
	Aspect Ratio	5:04	5:04
	Viewing Angle	85/85/80/80°	89/89/89/89°
	Max. Color	16.7M	16.7M
	Backlight Lifetime	30,000 hr	30,000 hr
	Contrast Ratio	1000:01:00	1000:01:00
Touchscreen	Touch Type	5-Wire Resistive Touch	
	Controller	USB signal	
	Input	Finger/Touch pen	
	Light Transmission	≥78%	
	Hardness	≥3H	
	Click lifetime	100gf, 10 million times	
	Stroke lifetime	100gf, 1 million times	
	Response time	≤15ms	
Processor System	CPU	Intel® 12/13th Generation Core / Pentium/ Celeron Desktop CPU	
	TDP	65W	
	Socket	LGA1700	
	Chipset	H610	
	BIOS	AMI 256 Mbit SPI	
Memory	Socket	2 * Non-ECC SO-DIMM Slot, Dual Channel DDR4 up to 3200MHz	
	Max Capacity	64GB, Single Max. 32GB	
Graphics	Controller	Intel® UHD Graphics	
Ethernet	Controller	1 * Intel i219-LM 1GbE LAN Chip (LAN1, 10/100/1000 Mbps, RJ45) 1 * Intel i225-V 2.5GbE LAN Chip (LAN2, 10/100/1000/2500 Mbps, RJ45)	
Storage	SATA	1 * SATA3.0, Quick release 2.5" hard disk bays (T≤7mm) 1 * SATA3.0, Internal 2.5" hard disk bays (T≤9mm, Optional)	
	M.2	1 * M.2 Key-M (SATA3.0, 2280)	
Expansion Slots	aDoor	1 * aDoor Bus (Optional 4 * LAN/4 * POE/6 * COM/16 * GPIO expansion card)	
	Mini PCIe	1 * Mini PCIe (PCIe3.0 x1 + USB 2.0, with 1*Nano SIM Card)	
Front I/O	Ethernet	2 * RJ45	
	USB	2 * USB3.2 Gen2x1 (Type-A, 10Gbps) 2 * USB3.2 Gen 1x1 (Type-A, 5Gbps) 2 * USB2.0 (Type-A)	
	Display	1 * HDMI1.4b: max resolution up to 4096*2160 @ 30Hz 1 * DP1.4a: max resolution up to 4096*2160 @ 60Hz	
	Audio	2 * 3.5mm Jack (Line-Out + MIC)	
	Serial	2 * RS232/485/422 (COM1/2, DB9/M, Full Lanes, BIOS Switch) 2 * RS232 (COM3/4, DB9/M, Full Lanes)	
	Button	1 * Power Button + Power LED 1 * AT/ATX Button 1 * OS Recover Button 1 * System Reset Button	
Rear I/O	Antenna	4 * Antenna hole	
	SIM	1 * Nano SIM card slots(SIM1)	
Internal I/O	USB	6 * USB2.0 (wafer)	
	LCD	1 * LVDS (wafer): LVDS Resolution up to 1920*1200 @ 60Hz	
	Front Panel	1 * FPanel (PWR+RST+LED, wafer)	
	Audio	1 * Audio (Header) 1 * Speaker (2-W (per channel)/8-Ω Loads, wafer)	
	Serial	2 * RS232 (COM5/6, wafer)	
	GPIO	1 * 16 bits DIO (8xDI and 8xDO, wafer)	
LPC	1 * LPC (wafer)		

	SATA	3 * SATA 7P Connector, up to 600MB/s	
	SATA Power	3 * SATA Power (wafer)	
	FAN	1 * CPU FAN (wafer) 2 * SYS FAN (KF2510-4A)	
Power Supply	Type	DC, AT/ATX	
	Power Input Voltage	9~36VDC, P≤240W 18~60VDC, P≤400W	
	Connector	1 * 4Pin Connector, P=5.00/5.08	
	RTC Battery	CR2032 Coin Cell	
OS Support	Windows	Windows 10/11	
	Linux	Linux	
Watchdog	Output	System Reset	
	Interval	Programmable via Software from 1 to 255 sec	
Mechanical	Enclosure Material	Radiator/Panel: Aluminum, Box/Cover: SGCC	
	Mounting	Rack-mount, VESA	
	Dimensions	482.6mm(L) * 354.8mm(W) * 98.7mm(H)	482.6mm(L) * 354.8mm(W) * 97.7mm(H)
	Weight	Net: 8.7kg, Total: 11.7kg	Net: 9.0kg, Total: 13.1kg
Environment	Heat Dissipation System	PWM FAN Cooling	
	Operating Temperature	0~50℃	0~50℃
	Storage Temperature	-20~60℃	-20~60℃
	Relative Humidity	10 to 95% RH (non-condensing)	
	Vibration During Operation	With SSD: IEC 60068-2-64 (1Grms@5~500Hz, random, 1hr/axis)	
	Shock During Operation	With SSD: IEC 60068-2-27 (15G, half sine, 11ms)	

Product Dimensions



Product I/O

