



Features:

- Aluminum alloy mold forming
- Supports Intel® 4th to 9th Generation Desktop CPUs
- Installs standard ITX motherboard, supports standard 1U power supply
- Optional adapter card, supports 2PCI or 1PCIe X16 expansion
- Default design includes one 2.5-inch 7mm shock and impact-resistant hard drive bay
- Front panel power switch design, with power and storage status indicators for easier system maintenance
- Supports multi-directional wall-mounted and desktop installations



Remote Management



Status Monitoring



Remote Operations and Maintenance

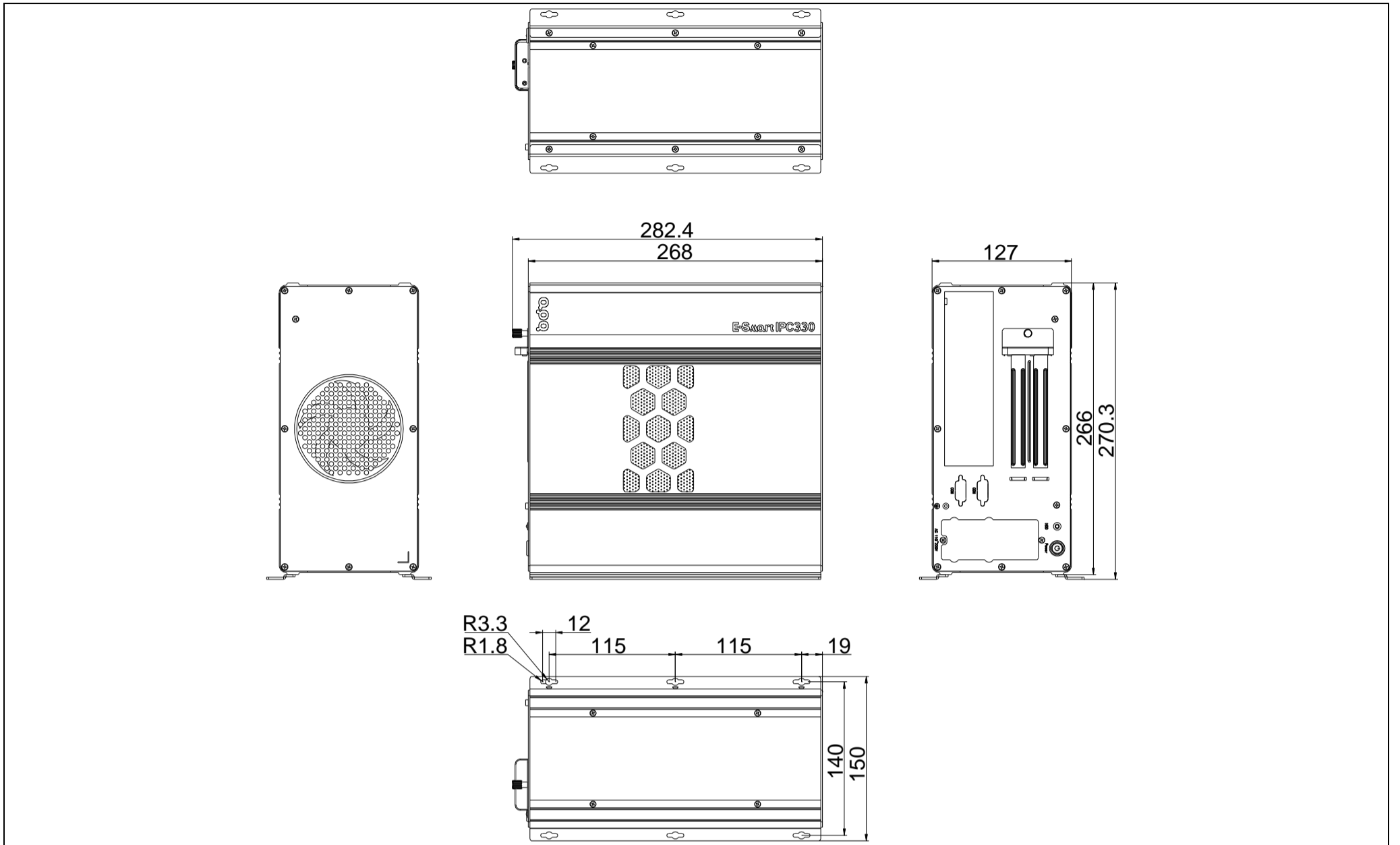


Security Control

Product Specifications

Model	IPC330D	
Processor System	SBC form factor	Supports motherboards with 6.7" x 6.7" and below sizes
	PSU Type	1U FLEX
	Driver Bays	1 * 2.5" drive bays (Optionally add 1 * 2.5" drive bays)
	CD-ROM Bays	NA
	Cooling Fans	1 * PWM Smart FAN (9225, Rear I/O)
	USB	NA
	Expansions Slots	2 * PCI/1 * PCIE full-height expansion slots
	Button	1 * Power Button
	LED	1 * Power status LED 1 * Hard drive status LED
	Optional	2* DB9 for expansion optioal (Front I/O)
Mechanical	Enclosure Material	SGCC+Al6061
	Surface technology	Anodization+ Baking varnish
	Color	Steel gray
	Dimensions (W x D x H)	266mm * 127mm * 268mm
	Weight (Net.)	4.8 kg
	Mounting	Wall mounted, Desktop
Environment	Operating Temperature	-20 ~ 60°C
	Storage Temperature	-20 ~ 75°C
	Relative Humidity	10 to 95% RH (non-condensing)

Product Dimensions



Chassis Interface

