

## Features:

- Full-screen capacitive touchscreen design
- Modular design 10.1~21.5" selectable, supports square/wide screen
- Front panel meets IP65 requirements
- Front panel integrates USB Type-A and signal indicator lights
- Utilizes Intel® Celeron® J1900 ultra-low power CPU
- Integrates dual Intel® Gigabit network cards
- Supports dual hard drive storage
- Supports APQ aDoor module expansion
- Supports WiFi/4G wireless expansion
- Fanless design
- Embedded/VESA mounting
- 12~28V DC power supply



Remote Management



Status Monitoring



Remote Operations and Maintenance

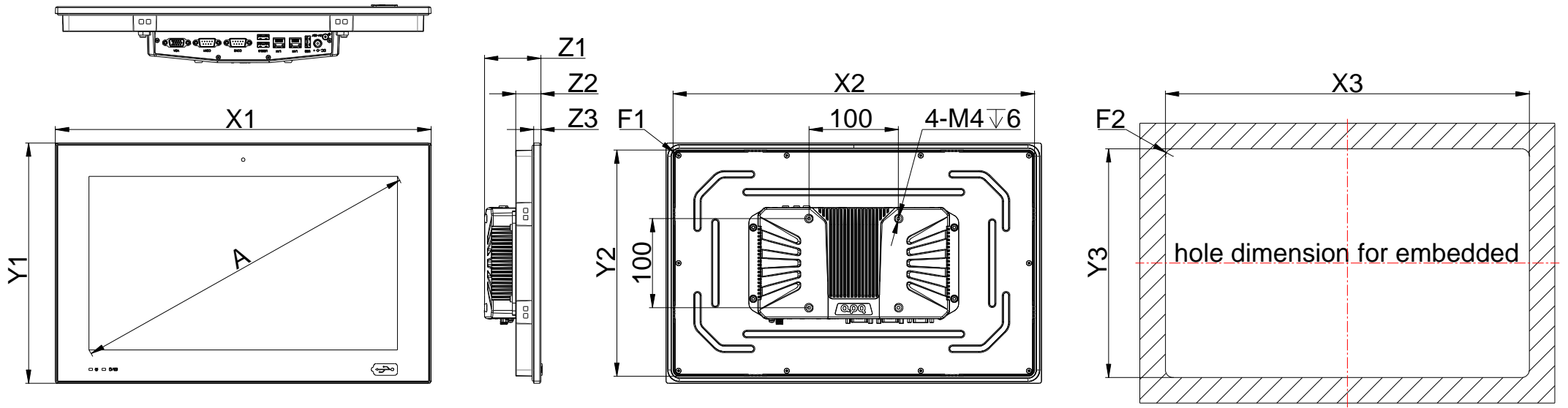


Security Control

## Product Specifications

Model	PL101CQ-E5	PL104CQ-E5	PL121CQ-E5	PL150CQ-E5	PL156CQ-E5	PL170CQ-E5	PL185CQ-E5	PL191CQ-E5	PL215CQ-E5	
<b>LCD</b>	Display Size	10.1"	10.4"	12.1"	15.0"	15.6"	17.0"	18.5"	19.0"	21.5"
	Display Type	WXGA TFT-LCD	XGA TFT-LCD	XGA TFT-LCD	XGA TFT-LCD	FHD TFT-LCD	SXGA TFT-LCD	WXGA TFT-LCD	WXGA TFT-LCD	FHD TFT-LCD
	Max. Resolution	1280 x 800	1024 x 768	1024 x 768	1024 x 768	1920 x 1080	1280 x 1024	1366 x 768	1440 x 900	1920 x 1080
	Luminance	400 cd/m2	350 cd/m2	350 cd/m2	300 cd/m2	350 cd/m2	250 cd/m2	250 cd/m2	250 cd/m2	250 cd/m2
	Aspect Ratio	16:10	4:3	4:3	4:3	16:9	5:4	16:9	16:10	16:9
	Viewing Angle	89/89/89/89°	88/88/88/88°	80/80/80/80°	88/88/88/88°	89/89/89/89°	85/85/80/80°	89/89/89/89°	85/85/80/80°	89/89/89/89°
	Max. Color	16.7M	16.2M	16.7M	16.7M	16.7M	16.7M	16.7M	16.7M	16.7M
	Backlight Lifetime	20,000 hr	50,000 hr	30,000 hr	70,000 hr	50,000 hr	30,000 hr	30,000 hr	30,000 hr	50,000 hr
	Contrast Ratio	800:1	1000:1	800:1	2000:1	800:1	1000:1	1000:1	1000:1	1000:1
<b>Touchscreen</b>	Touch Type	Projected Capacitive Touch								
	Controller	USB Signal								
	Input	Finger/Capacitive Touch Pen								
	Light Transmission	≥85%								
	Hardness	≥6H								
<b>Processor System</b>	CPU	Intel® Celeron® J1900								
	Base Frequency	2.00 GHz								
	Max Turbo Frequency	2.42 GHz								
	Cache	2MB								
	Total Cores/Threads	4/4								
	TDP	10W								
	Chipset	SOC								
	BIOS	AMI UEFI BIOS								
<b>Memory</b>	Socket	DDR3L-1333 MHz (Onboard)								
	Max Capacity	4GB								
<b>Graphics</b>	Controller	Intel® HD Graphics								
<b>Ethernet</b>	Controller	2 * Intel® i210-AT (10/100/1000 Mbps, RJ45)								
<b>Storage</b>	SATA	1 * SATA2.0 Connector (2.5-inch hard disk with 15+7pin)								
	mSATA	1 * mSATA Slot								
<b>Expansion Slots</b>	aDoor	1 * aDoor Expansion Module								
	Mini PCIe	1 * Mini PCIe Slot (PCIe 2.0x1 + USB2.0)								
<b>Front I/O</b>	USB	2 * USB3.0 (Type-A) 1 * USB2.0 (Type-A)								
	Ethernet	2 * RJ45								
	Display	1 * VGA: max resolution up to 1920*1200@60Hz								
	Serial	2 * RS232/485 (COM1/2, DB9/M)								
	Power	1 * Power Input Connector (12~28V)								
<b>Rear I/O</b>	USB	1 * USB3.0 (Type-A) 1 * USB2.0 (Type-A)								
	SIM	1 * SIM Card slot (Mini PCIe module provides functional support)								
	Button	1 * Power Button+Power LED								
	Audio	1 * 3.5mm Line-out Jack 1 * 3.5mm MIC Jack								
	Display	1 * HDMI: max resolution up to 1920*1200 @ 60Hz								
<b>Internal I/O</b>	Front Panel	1 * TFront Panel (3*USB2.0+Front Panel, 10x2Pin, PHD2.0) 1 * Front Panel (3x2Pin, PHD2.0)								
	FAN	1 * SYS FAN (4x1Pin, MX1.25)								
	Serial	2 * COM (JCOM3/4, 5x2Pin, PHD2.0)								
	USB	2 * USB2.0 (5x2Pin, PHD2.0) 1 * USB2.0 (4x1Pin, PH2.0)								
	Display	1 * LVDS (20x2Pin, PHD2.0)								
	Audio	1 * Front Audio (header, Line-Out + MIC, 5x2Pin 2.00mm) 1 * Speaker (wafer, 2-W (per channel)/8-Ω Loads, 4x1Pin 2.0mm)								
	GPIO	1 * 8bits DIO (4xDI and 4xDO, 10x1Pin MX1.25)								
<b>Power Supply</b>	Type	DC								
	Power Input Voltage	12~28VDC								
	Connector	1 * DC5525 with lock								
	RTC Battery	CR2032 Coin Cell								
<b>OS Support</b>	Windows	Windows 7/8.1/10								
	Linux	Linux								
<b>Watchdog</b>	Output	System Reset								
	Interval	Programmable 1 ~ 255 sec								
<b>Mechanical</b>	Enclosure Material	Radiator/Panel: Aluminum, Box/Cover: SGCC								
	Mounting	VESA, embedded								
	Dimensions (L*W*H, Unit: mm)	272.1*192.7*63	284* 231.2 *63	321.9* 260.5*63	380.1* 304.1*63	420.3* 269.7*63	414* 346.5*63	485.7* 306.3*63	484.6* 332.5*63	550* 344*63
<b>Environment</b>	Weight	Net: 2.7Kg, Total: 4.9Kg	Net: 2.8Kg, Total: 5.1Kg	Net: 3.0Kg, Total: 5.4Kg	Net: 4.4Kg, Total: 6.9Kg	Net: 4.3Kg, Total: 6.8Kg	Net: 5.2Kg, Total: 7.8Kg	Net: 5.1Kg, Total: 7.8Kg	Net: 5.7Kg, Total: 8.6Kg	Net: 6.0Kg, Total: 8.9Kg
	Heat Dissipation System	Passive heat dissipation								
	Operating Temperature	-20~60°C	-20~60°C	-20~60°C	-20~60°C	-20~60°C	0~50°C	0~50°C	0~50°C	0~60°C
	Storage Temperature	-20~60°C	-20~70°C	-30~80°C	-30~70°C	-30~70°C	-20~60°C	-20~60°C	-20~60°C	-20~60°C
	Relative Humidity	10 to 95% RH (non-condensing)								
Vibration During Operation	With SSD: IEC 60068-2-64 (1Grms@5~500Hz, random, 1hr/axis)									

## Product Dimensions



A	System Dimension			Panel Mount							
	X1	Y1	Z1	X2	Y2	Z2	X3	Y3	Z3	F1	F2
10.1"	272.1	192.7	63	260.9	181.5	28	262.5	183.1	8	6.9	7.8
10.4"	284	231.2	63	268.1	215.3	28	269.9	217.1	8	7.1	8.5
12.1"	321.9	260.5	63	307	245.6	28	309.8	248.4	8	7.1	8.5
15.0"	380.1	304.1	63	364.2	288.2	28	367	291	8	7.1	8.5
15.6"	420.3	269.7	63	404.5	253.8	28	407.3	256.6	8	7.1	8.5
17.0"	414	346.5	63	398.2	330.6	28	401	333.4	8	7.1	8.5
18.5"	485.7	306.3	63	469.8	290.4	28	472.6	293.2	8	7.1	8.5
19.1"	484.6	332.5	63	468.7	316.6	28	471.5	319.4	8	7.1	8.5
21.5"	550	344	63	538.7	327.7	28	539.5	330.9	8	7.1	8.5

## Product I/O

