



Features:

- Full-screen capacitive touchscreen design
- Modular design 12.1~21.5" selectable, supports square/wide screen
- Front panel meets IP65 requirements
- Front panel integrates USB Type-A and signal indicator lights
- Supports Intel® 4th/5th Gen Core / Pentium/ Celeron Desktop CPU, TDP 65W
- Paired with Intel® H81 chipset
- 2 Intel Gigabit network interfaces and 4 DB9 serial ports
- M.2 and 2.5-inch dual hard drive storage support
- 4 display outputs: VGA, DVI-D, DP++, and internal LVDS, supporting up to 4K@60Hz resolution
- 9~36V DC power supply (optional 12V)
- Embedded/VESA mounting



Remote Management



Status Monitoring


 Remote Operations
and Maintenance

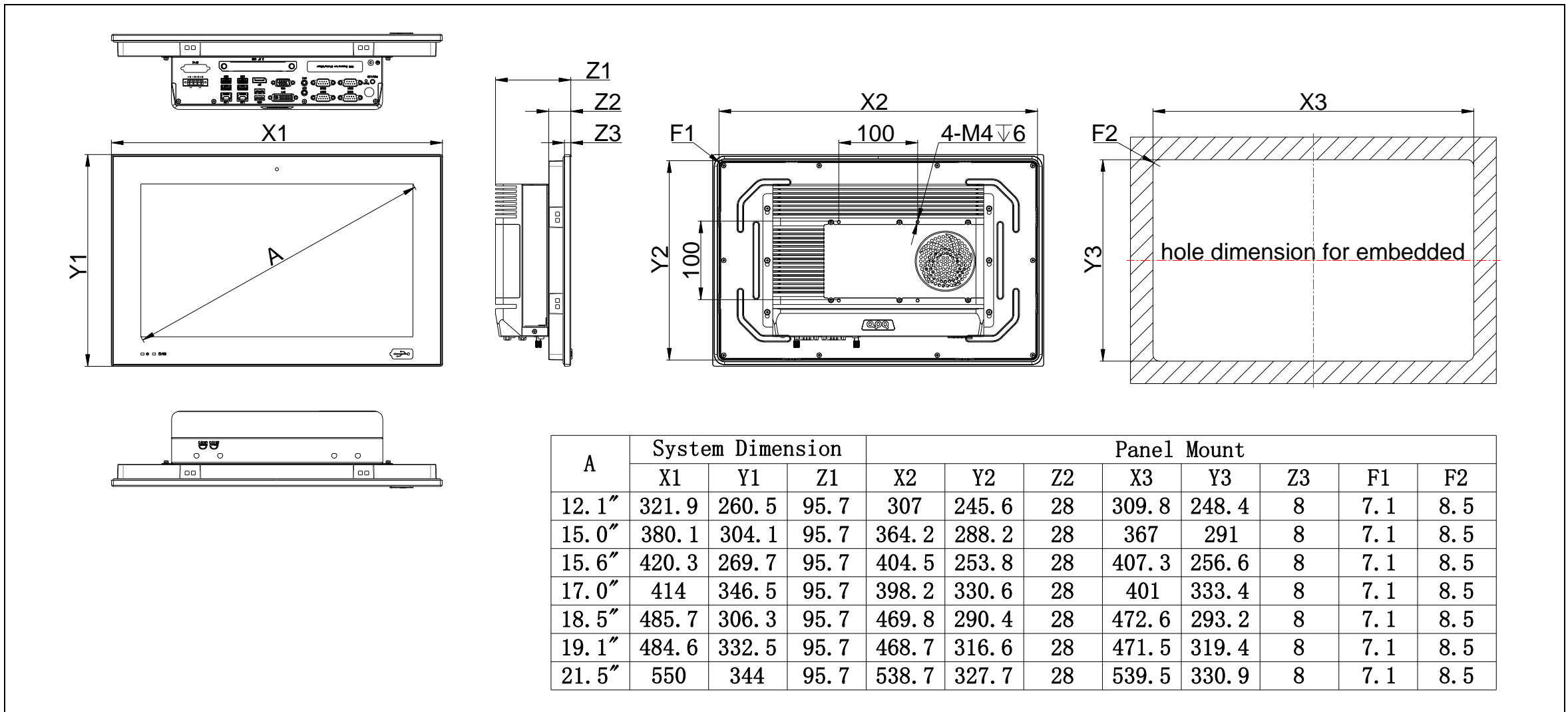

Security Control

Product Specifications

Model		PL121CQ-E7S	PL150CQ-E7S	PL156CQ-E7S	PL170CQ-E7S	PL185CQ-E7S	PL191CQ-E7S	PL215CQ-E7S
LCD	Display Size	12.1"	15.0"	15.6"	17.0"	18.5"	19.1"	21.5"
	Display Type	XGA TFT-LCD	XGA TFT-LCD	FHD TFT-LCD	SXGA TFT-LCD	WXGA TFT-LCD	WXGA TFT-LCD	FHD TFT-LCD
	Max.Resolution	1024 x 768	1024 x 768	1920 x 1080	1280 x 1024	1366 x 768	1440 x 900	1920 x 1080
	Luminance	350 cd/m2	300 cd/m2	350 cd/m2	250 cd/m2	250 cd/m2	250 cd/m2	250 cd/m2
	Aspect Ratio	4:3	4:3	16:9	5:4	16:9	16:10	16:9
	Viewing Angle	80/80/80/80°	88/88/88/88°	89/89/89/89°	85/85/80/80°	89/89/89/89°	85/85/80/80°	89/89/89/89°
	Max. Color	16.7M	16.7M	16.7M	16.7M	16.7M	16.7M	16.7M
	Backlight Lifetime	30,000 hr	70,000 hr	50,000 hr	30,000 hr	30,000 hr	30,000 hr	50,000 hr
	Contrast Ratio	800:1	2000:1	800:1	1000:1	1000:1	1000:1	1000:1
Touchscreen	Touch Type	Projected Capacitive Touch						
	Controller	USB signal						
	Input	Finger/Capacitive Touch Pen						
	Light Transmission	≥85%						
	Hardness	≥6H						
Processor System	CPU	Intel® 4/5th Generation Core / Pentium/ Celeron Desktop CPU						
	TDP	65W						
	Socket	LGA1150						
	Chipset	Intel® H81						
	BIOS	AMI UEFI BIOS (Support Watchdog Timer)						
Memory	Socket	2 * Non-ECC SO-DIMM Slot, Dual Channel DDR3 up to 1600MHz						
	Max Capacity	16GB, Single Max. 8GB						
Graphics	Controller	Intel® HD Graphics						
Ethernet	Controller	1 * Intel i210-AT GbE LAN Chip (10/100/1000 Mbps) 1 * Intel i218-LM/V GbE LAN Chip (10/100/1000 Mbps)						
	Storage	SATA 1 * SATA3.0, Quick release 2.5" hard disk bays (T≤7mm) 1 * SATA2.0, Internal 2.5" hard disk bays (T≤9mm, Optional)						
Expansion Slots	M.2	1 * M.2 Key-M (SATA3.0, 2280)						
	MXM/aDoor	1 * APQ MXM (Optional MXM 4 * LAN/4 * POE/6 * COM/16 * GPIO expansion card) 1 * aDoor Expansion Slot						
Front I/O	Mini PCIe	1 * Mini PCIe (PCIe2.0 x1 (Share PCIe signal with MXM, optional) + USB 2.0, with 1*Nano SIM Card)						
	Ethernet	2 * RJ45						
	USB	2 * USB3.0 (Type-A, 5Gbps) 4 * USB2.0 (Type-A)						
	Display	1 * DVI-D: max resolution up to 1920*1200 @ 60Hz 1 * VGA (DB15/F): max resolution up to 1920*1200 @ 60Hz 1 * DP: max resolution up to 4096*2160 @ 60Hz						
	Audio	2 * 3.5mm Jack (Line-Out + MIC)						
	Serial	2 * RS232/422/485 (COM1/2, DB9/M, Full Lanes, BIOS Switch) 2 * RS232 (COM3/4, DB9/M)						
	Button	1 * Power Button + Power LED 1 * System Reset Button (Hold down 0.2 to 1s to restart, and hold down 3s to clear CMOS)						
Rear I/O	Antenna	4 * Antenna hole						
	SIM	1 * Nano SIM card slot (SIM1)						
Internal I/O	USB	2 * USB2.0 (wafer)						
	LCD	1 * LVDS (wafer): max resolution up to 1920*1200 @ 60Hz						
	TFront Panel	1 * TF_Panel (3 * USB 2.0 + FPANEL, wafer)						
	Front Panel	1 * Front Panel (PWR + RST + LED, wafer)						
	Speaker	1 * Speaker (2-W (per channel)/8-Ω Loads, wafer)						
	Serial	2 * RS232 (COM5/6, wafer)						
	GPIO	1 * 16 bits DIO (8xDI and 8xDO, wafer)						
	LPC	1 * LPC (wafer)						
	SATA	2 * SATA 7P Connector						
	SATA Power	2 * SATA Power (SATA_PWR1/2, wafer)						
Power Supply	FAN	1 * CPU FAN (wafer) 2 * SYS FAN (wafer)						
	Type	DC, AT/ATX						

	Power Input Voltage	9 ~ 36VDC, P≤240W						
	Connector	1 * 4Pin Connector, P=5.00/5.08						
	RTC Battery	CR2032 Coin Cell						
OS Support	Windows	Windows 7/10/11						
	Linux	Linux						
Watchdog	Output	System Reset						
	Interval	Programmable via Software from 1 to 255 sec						
Mechanical	Enclosure Material	Radiator: Aluminum alloy, Box: SGCC						
	Mounting	VESA, embedded						
	Dimensions (L * W * H, Unit: mm)	321.9*260.5*95.7	380.1*304.1*95.7	420.3*269.7*95.7	414*346.5*95.7	485.7*306.3*95.7	484.6*332.5*95.7	550*344*95.7
	Weight	Net: 6.6 kg Total: 8.1 kg	Net: 8.0 kg Total: 9.5 kg	Net: 7.9 kg Total: 9.6 kg	Net: 8.8 kg Total: 10.3 kg	Net: 8.7 kg Total: 10.2 kg	Net: 10.0 kg Total: 11.5 kg	Net: 9.6 kg Total: 11.1 kg
Environment	Heat Dissipation System	PWM Fan Cooling						
	Operating Temperature	-20~60°C	-20~60°C	-20~60°C	-20~60°C	-20~60°C	0~50°C	0~50°C
	Storage Temperature	-20~60°C	-20~70°C	-30~80°C	-30~70°C	-30~70°C	-20~60°C	-20~60°C
	Relative Humidity	5 to 95% RH (non-condensing)						
	Vibration During Operation	With SSD: IEC 60068-2-64 (1Grms@5~500Hz, random, 1hr/axis)						
	Shock During Operation	With SSD: IEC 60068-2-27 (15G, half sine, 11ms)						

Product Dimensions



Product I/O

