



### Features:

- Intel® 11th Gen Core™ i3/i5/i7-U mobile processors, TDP=28W
- One DDR4-3200MHz SO-DIMM memory slot, supporting up to 32GB
- Onboard two Intel Gigabit network cards
- Rich I/O signals including PCIe, DDI, SATA, TTL, LPC, etc.
- Utilizes a high-reliability COM-Express connector to meet the needs for high-speed signal transmission
- Default floating ground design



Remote Management



Status Monitoring



Remote Operations and Maintenance

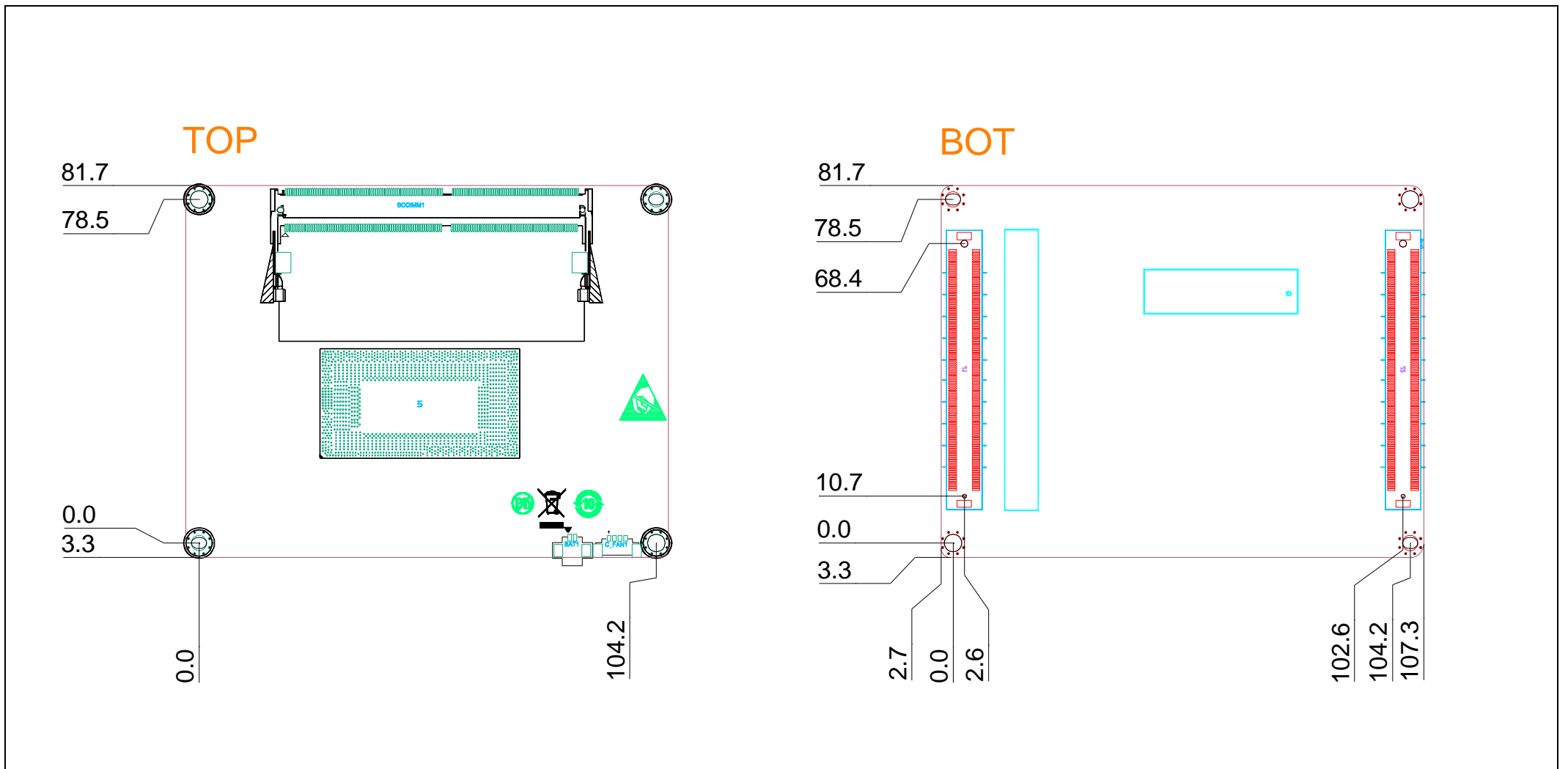


Security Control

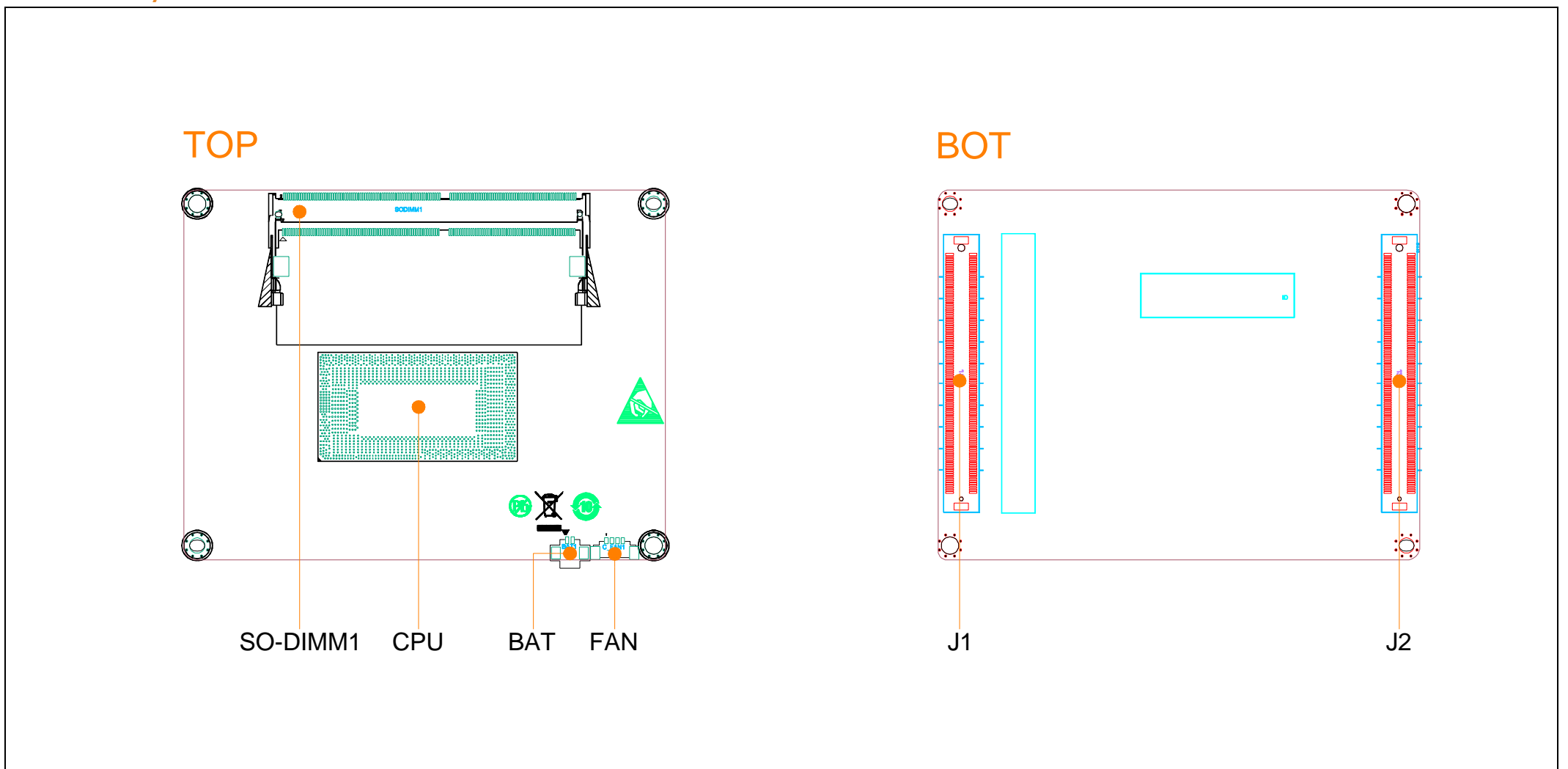
## Product Specifications

Model	CMT-TGLU	
Processor System	CPU	Intel® 11th Generation Core™ i3/i5/i7 Mobile CPU
	TDP	28W
	Chipset	SOC
	BIOS	AMI 256 Mbit SPI
Memory	Socket	1 * DDR4 SO-DIMM Slot, up to 3200MHz
	Capacity	Max. 32GB
Graphics	Controller	Intel® UHD Graphics/Intel® Iris® Xe Graphics (dependent on CPU)
Ethernet	Controller	1 * Intel® i210-AT GbE LAN Chip (10/100/1000 Mbps)
		1 * Intel® i219-LM/V GbE LAN Chip (10/100/1000 Mbps)
Expansion I/O	PCIe	1 * PCIe x4 Gen3, Bifurcatable to 1 x4/2 x2/4 x1
		1 * PCIe x4(From CPU,only support SSD)
		2 * PCIe x1 Gen3
		1 * PCIe x1(Optional 1 * SATA)
	NVMe	1 Port (From CPU,only support SSD)
	SATA	1 Port support SATA III 6.0Gb/s (Optional 1 * PCIe x1 Gen3)
	USB3.0	4 Ports
	USB2.0	10 Ports
	Audio	1 * HDA
	Display	2 * DDI 1 * eDP
	Serial	6 * UART (COM1/2 9-Wire)
Other	GPIO	16 * bits DIO
		1 * SPI
		1 * LPC
		1 * SMBUS
		1 * I <sup>2</sup> C
		1 * SYS FAN
Internal I/O	Memory	1 * DDR4 SO-DIMM Slot
	B2B Connector	2 * 220Pin COM-Express connector
	FAN	1 * CPU FAN (4x1Pin, MX1.25)
Power Supply	Type	ATX: Vin, VSB; AT: Vin
	Supply Voltage	Vin:12V VSB:5V
OS Support	Windows	Windows 10
	Linux	Linux
Watchdog	Output	System Reset
	Interval	Programmable 1 ~ 255 sec
Mechanical	Dimensions	110mm * 85mm
Environment	Operating Temperature	-20 ~ 60°C
	Storage Temperature	-40 ~ 80°C
	Relative Humidity	10 to 95% RH (non-condensing)

## Product Dimensions



## Product I/O



# Functional Block Diagram

