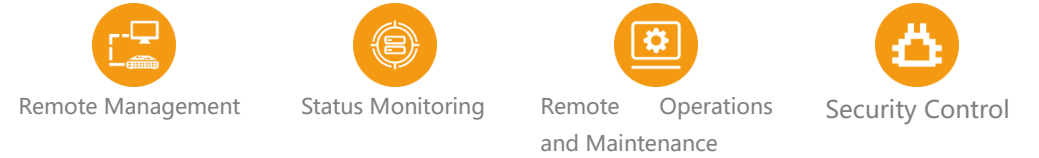




### Features:

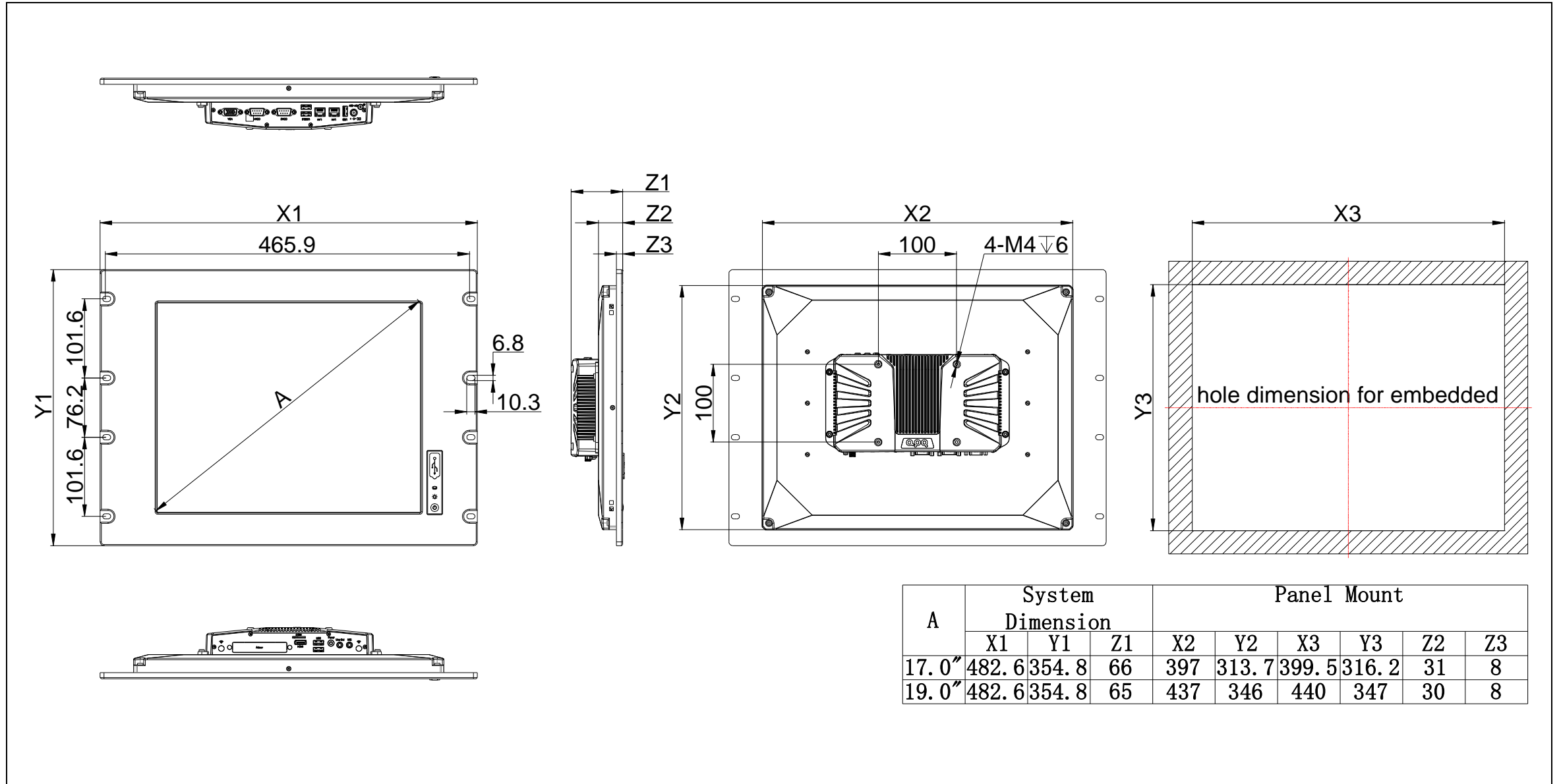
- Resistive touchscreen design
- Modular design available in 17/19 inches, supporting both square and widescreen displays
- Front panel meets IP65 requirements
- Front panel integrates USB Type-A and signal indicator lights
- Utilizes Intel® Celeron® J1900 ultra-low power CPU
- Integrated dual Intel® Gigabit network cards
- Supports dual hard drive storage
- Compatible with APQ aDoor module expansion
- Supports WiFi/4G wireless expansion
- Fanless design
- Rack-mount/VESA mounting options
- 12~28V DC power supply



## Product Specifications

| Model                   | PG170RF-E5                                      | PG190RF-E5  |                                   |
|-------------------------|---|---|-----------------------------------|
| <b>LCD</b>              | Display Size                                    | 17.0"   | 19.0"                             |
|                         | Display Type                                    | SXGA TFT-LCD  | SXGA TFT-LCD                      |
|                         | Max.Resolution                                  | 1280 x 1024   | 1280 x 1024                       |
|                         | Luminance                                       | 250 cd/m2   | 250 cd/m2                         |
|                         | Aspect Ratio                                    | 5:4   | 5:4                               |
|                         | Viewing Angle                                   | 85/85/80/80°  | 89/89/89/89°                      |
|                         | Max. Color                                      | 16.7M   | 16.7M                             |
|                         | Backlight Lifetime                              | 30,000 hr   | 30,000 hr                         |
| Contrast Ratio          | 1000:1  | 1000:1  |                                   |
| <b>Touchscreen</b>      | Touch Type                                      | 5-Wire Resistive Touch  |                                   |
|                         | Controller                                      | USB signal  |                                   |
|                         | Input   | Finger/Touch pen  |                                   |
|                         | Light Transmission                              | ≥78%  |                                   |
|                         | Hardness  | ≥3H   |                                   |
|                         | Click lifetime                                  | 100gf, 10 million times   |                                   |
|                         | Stroke lifetime                                 | 100gf, 1 million times  |                                   |
| Response time           | ≤15ms   |   |                                   |
| <b>Processor System</b> | CPU   | Intel® Celeron® J1900   |                                   |
|                         | Base Frequency                                  | 2.00 GHz  |                                   |
|                         | Max Turbo Frequency                             | 2.42 GHz  |                                   |
|                         | Cache   | 2MB   |                                   |
|                         | Total Cores/Threads                             | 4/4   |                                   |
|                         | TDP   | 10W   |                                   |
|                         | Chipset   | SOC   |                                   |
|                         | BIOS  | AMI UEFI BIOS   |                                   |
| <b>Memory</b>           | Socket  | DDR3L-1333 MHz (Onboard)  |                                   |
|                         | Max Capacity                                    | 4GB   |                                   |
| <b>Graphics</b>         | Controller                                      | Intel® HD Graphics  |                                   |
| <b>Ethernet</b>         | Controller                                      | 2 * Intel® i210-AT (10/100/1000 Mbps, RJ45)   |                                   |
| <b>Storage</b>          | SATA  | 1 * SATA2.0 Connector (2.5-inch hard disk with 15+7pin)   |                                   |
|                         | mSATA   | 1 * mSATA Slot  |                                   |
| <b>Expansion Slots</b>  | aDoor   | 1 * aDoor Expansion Module  |                                   |
|                         | Mini PCIe                                       | 1 * Mini PCIe Slot (PCIe 2.0x1 + USB2.0)  |                                   |
| <b>Front I/O</b>        | USB   | 2 * USB3.0 (Type-A)<br>1 * USB2.0 (Type-A)  |                                   |
|                         | Ethernet  | 2 * RJ45  |                                   |
|                         | Display   | 1 * VGA: max resolution up to 1920*1200@60Hz  |                                   |
|                         | Serial  | 2 * RS232/485 (COM1/2, DB9/M)   |                                   |
|                         | Power   | 1 * Power Input Connector (12~28V)  |                                   |
| <b>Rear I/O</b>         | USB   | 1 * USB3.0 (Type-A)<br>1 * USB2.0 (Type-A)  |                                   |
|                         | SIM   | 1 * SIM Card slot (Mini PCIe module provides functional support)  |                                   |
|                         | Button  | 1 * Power Button+Power LED  |                                   |
|                         | Audio   | 1 * 3.5mm Line-out Jack<br>1 * 3.5mm MIC Jack   |                                   |
|                         | Display   | 1 * HDMI: max resolution up to 1920*1200 @ 60Hz   |                                   |
| <b>Internal I/O</b>     | Front Panel                                     | 1 * TFront Panel (3*USB2.0+Front Panel, 10x2Pin, PHD2.0)<br>1 * Front Panel (3x2Pin, PHD2.0)                              |                                   |
|                         | FAN   | 1 * SYS FAN (4x1Pin, MX1.25)  |                                   |
|                         | Serial  | 2 * COM (JCOM3/4, 5x2Pin, PHD2.0)   |                                   |
|                         | USB   | 2 * USB2.0 (5x2Pin, PHD2.0)<br>1 * USB2.0 (4x1Pin, PH2.0)   |                                   |
|                         | Display   | 1 * LVDS (20x2Pin, PHD2.0)  |                                   |
|                         | Audio   | 1 * Front Audio (header, Line-Out + MIC, 5x2Pin 2.00mm)<br>1 * Speaker (wafer, 2-W (per channel)/8-Ω Loads, 4x1Pin 2.0mm) |                                   |
|                         | GPIO  | 1 * 8bits DIO (4xDI and 4xDO, 10x1Pin MX1.25)   |                                   |
| <b>Power Supply</b>     | Type  | DC  |                                   |
|                         | Power Input Voltage                             | 12~28VDC  |                                   |
|                         | Connector                                       | 1 * DC5525 with lock  |                                   |
|                         | RTC Battery                                     | CR2032 Coin Cell  |                                   |
| <b>OS Support</b>       | Windows   | Windows 7/8.1/10  |                                   |
|                         | Linux   | Linux   |                                   |
| <b>Watchdog</b>         | Output  | System Reset  |                                   |
|                         | Interval  | Programmable 1 ~ 255 sec  |                                   |
| <b>Mechanical</b>       | Enclosure Material                              | Radiator/Panel: Aluminum, Box/Cover: SGCC   |                                   |
|                         | Mounting  | Rack-mount, VESA, embedded  |                                   |
|                         | Dimensions                                      | 482.6mm(L) * 354.8mm(W) * 66mm(H)   | 482.6mm(L) * 354.8mm(W) * 65mm(H) |
|                         | Weight  | Net: 5.5kg, Total:8.5kg   | Net: 6.9kg, Total: 10.1kg         |
| <b>Environment</b>      | Heat Dissipation System                         | Passive heat dissipation  |                                   |
|                         | Operating Temperature                           | 0~50℃   |                                   |
|                         | Storage Temperature                             | -20~60℃   |                                   |
|                         | Relative Humidity                               | 10 to 95% RH (non-condensing)   |                                   |
|                         | Vibration During Operation                      | With SSD: IEC 60068-2-64 (1Grms@5~500Hz, random, 1hr/axis)  |                                   |
| Shock During Operation  | With SSD: IEC 60068-2-27 (15G, half sine, 11ms) |   |                                   |

## Product Dimensions



## Product I/O

