



Features:

- Supports Intel® 6th to 9th Gen Core™ Desktop CPU
- Equipped with Intel® Q170 chipset
- 2 DDR4 SO-DIMM slots, supporting up to 32GB
- Dual Intel® Gigabit Ethernet interfaces
- 4 RS232/485 serial ports, with RS232 supporting high-speed mode
- External AT/ATX, reset, and system recovery shortcut buttons
- APQ aDoor module expansion support
- WiFi/4G wireless functionality expansion support
- 12~28V DC power supply
- Ultra-compact body, PWM intelligent fan for active cooling



Remote Management



Status Monitoring



Remote Operations and Maintenance

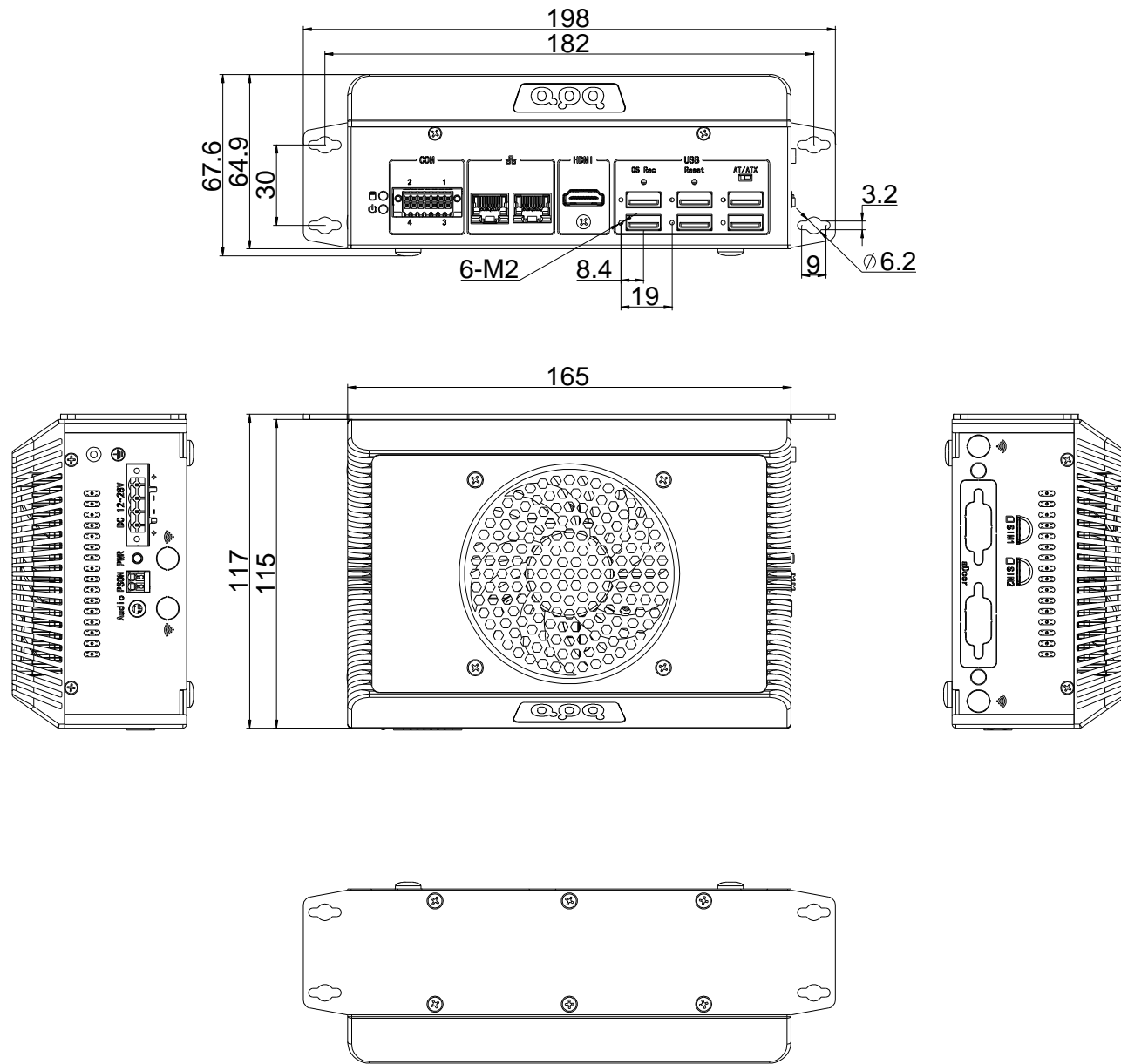


Security Control

Product Specifications

Model		TAC-7010
CPU	CPU	Intel® 6~9th Generation Core™ i3/i5/i7 Desktop CPU, TDP≤65W
	Socket	LGA1151
Chipset	Chipset	Intel® Q170
BIOS	BIOS	AMI UEFI BIOS
Memory	Socket	2 * SO-DIMM Slot, Dual Channel DDR4 up to 2666MHz
	Max Capacity	32GB, Single Max. 16GB
Graphics	Controller	Intel® HD Graphics530/Intel® UHD Graphics 630(dependent on CPU)
Ethernet	Controller	1 * Intel® i210-AT (10/100/1000 Mbps, RJ45) 1 * Intel® i219 (10/100/1000 Mbps, RJ45)
Storage	M.2	1 * M.2 Key-M Slot (PCIe x4 NVMe/ SATA SSD, auto detect, 2242/2280)
	Mini PCIe	2 * Mini PCIe Slot (PCIe2.0x1+USB2.0)
Expansion Slots	FPC	1 * FPC (support MXM&COM expansion board, 50Pin 0.5mm) 1 * FPC (support LVDS expansion card, 50Pin 0.5mm)
	JIO	1 * JIO_PWR1 (LVDS/MXM&COM extension board power supply, header/F, 11x2Pin 2.00mm)
	USB	6 * USB3.0 (Type-A)
Front I/O	Ethernet	2 * RJ45
	Display	1 * HDMI: max resolution up to 4096*2304 @ 24Hz
	Serial	4 * RS232/485 (COM1/2/3/4, jumper control)
	Switch	1 * AT/ATX Mode Switch (Enable/Disable automatically power on)
	Button	1 * Reset (hold down 0.2 to 1s to restart, 3s to clear CMOS) 1 * OS Rec (system recovery)
Left I/O	SIM	2 * Nano SIM Card slot (Mini PCIe modules provide functional support)
Right I/O	Audio	1 * 3.5mm Audio Jack (Line-Out + MIC, CTIA)
	Power	1 * Power Button
		1 * PS_ON Connector 1 * DC Power Input
Internal I/O	Front Panel	1 * Front Panel (3x2Pin, PHD2.0)
	FAN	1 * SYS FAN (4x1Pin, MX1.25)
	Serial	2 * COM (JCOM5/6, 5x2Pin, PHD2.0)
	USB	2 * USB2.0 (5x2Pin, PHD2.0)
	Audio	1 * Front Audio (header, Line-Out + MIC, 5x2Pin 2.54mm) 1 * Speaker (2-W (per channel)/8-Ω Loads, 4x1Pin, PH2.0)
	GPIO	1 * 16bits DIO (8xDI and 8xDO, 10x2Pin, PHD2.0)
Power Supply	Type	DC
	Power Input Voltage	12~28VDC
	Connector	1 * 4Pin Power Input Connector (P= 5.08mm)
	RTC Battery	CR2032 Coin Cell
OS Support	Windows	Windows 7/8.1/10
	Linux	Linux
Watchdog	Output	System Reset
	Interval	Programmable 1 ~ 255 sec
Mechanical	Enclosure Material	Radiator: Aluminum, Box: SGCC
	Dimensions	165mm(L) * 115mm(W) * 64.9mm(H)
	Weight	Net: 1.4kg, Total: 2.4kg (include packaging)
	Mounting	DIN, Wallmount, Desk mounting
Environment	Heat Dissipation System	PWM Air Cooling
	Operating Temperature	-20~60℃
	Storage Temperature	-40~80℃
	Relative Humidity	5 to 95% RH (non-condensing)
Vibration During Operation	With SSD: IEC 60068-2-64 (3Grms@5~500Hz, random, 1hr/axis)	

Product Dimensions



Product I/O

