

### Features:

- Powered by the Intel® Celeron® J1900 ultra-low-power processor
- 1 DDR3L S0-DIMM slot, supporting up to 8GB
- 3 Intel® Gigabit Ethernet ports
- 4 USB Type-A interfaces
- 1 HDMI digital display interface
- Supports WiFi/4G wireless expansion
- Compatible with desktop, wall-mounted, and DIN rail installations
- Fanless passive cooling design
- Ultra-compact body



Remote Management



Status Monitoring



Remote Operations and Maintenance



Security Control

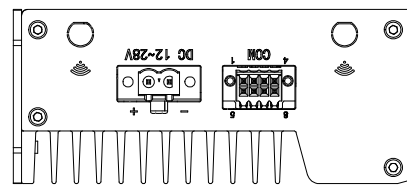
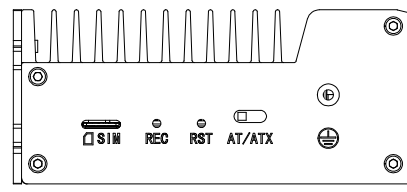
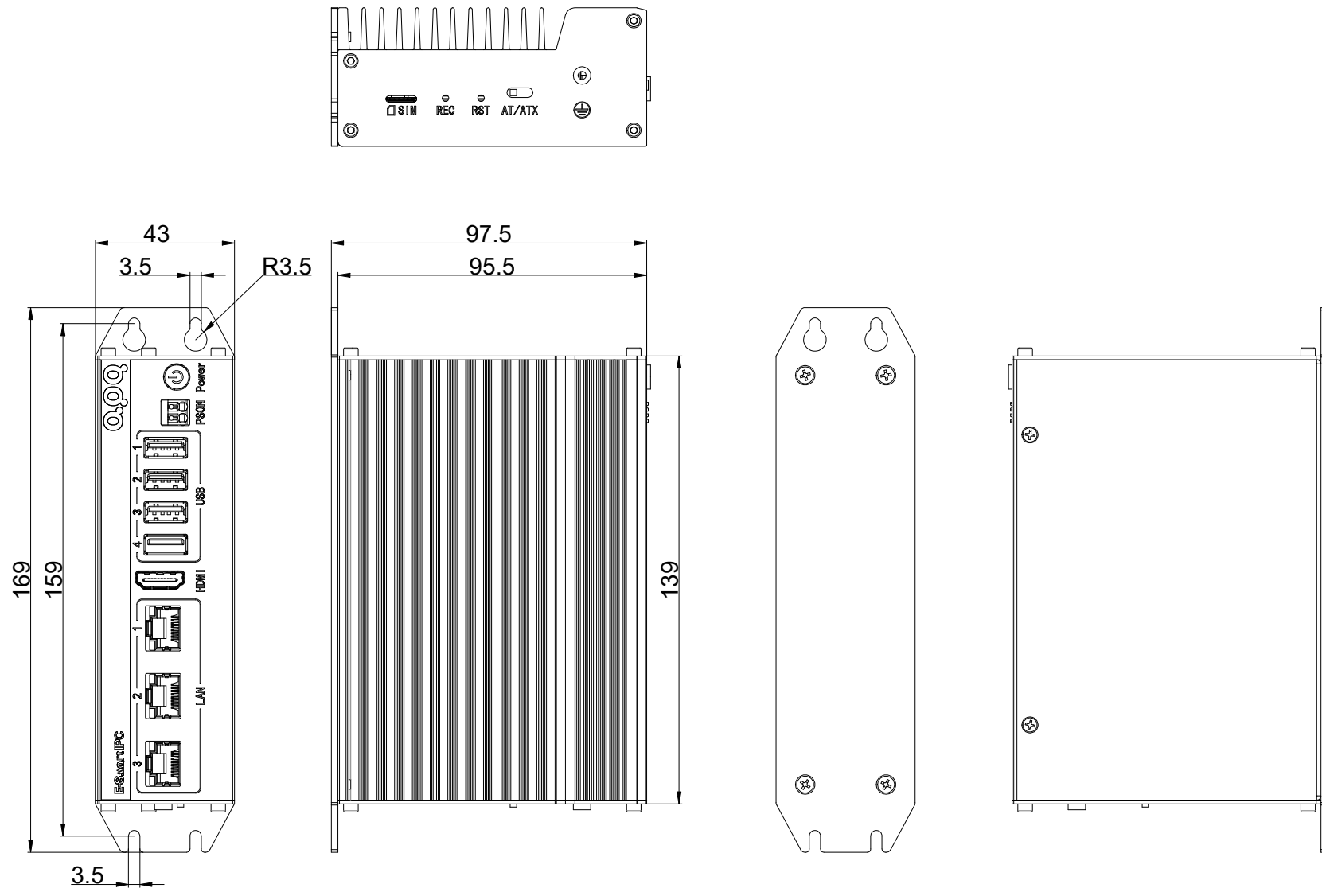
## Product Specifications

Model	AK1J19A3	
CPU	CPU	Intel® Celeron® Processor J1900
	Base Frequency	2.0 GHz
	Maximum Turbo Frequency	2.4 GHz
	Cache	2MB
	Cores/Threads	4/4
	Chipset	SOC
	BIOS	AMI UEFI BIOS
Memory	Socket	1 * DDR3L S0-DIMM slot, 1333MHz frequency
	Maximum Capacity	8GB
Display	Graphics Chipset	Intel® UHD Graphics
Network	Network Chipset	3 * Intel® i210-AT network chips (10/100/1000 Mbps)
Storage	M.2	1 * M.2 Key-M (Support SATA2.0 protocol, 2280)
Expansion	Mini PCIe	1 * Mini PCIe (supports PCIe x1 + USB 2.0 + 1 * SATA 2.0 signals, with SIM card slot)
	Optional Module	1A (16 * optically isolated DI + 16 * optically isolated DO + 4 * RS232/RS485 + 2 * CAN) <sup>①</sup>
Front I/O	USB	1 * USB3.0 (Type-A) 3 * USB2.0 (Type-A)
	Ethernet	3 * RJ45 interfaces
	Display	1 * HDMI interface (supports up to 1920*1200 @ 60Hz)
	Switch	1 * Power button (with power indicator light) 1 * External power switch interface
	Left-Side I/O	Switch
Right-Side I/O	Buttons	1 * Reset button (press for 0.2-1 second to restart; long press for 3 seconds to clear CMOS) 1 * System recovery button
	SIM	1 * Nano SIM card slot (function supported via Mini PCIe)
	Power	1 * Power input interface (12~28V, 2P, P=5.08mm)
Power Supply	Serial Ports	2 * RS232/485 (COM1/2, P=2.5mm, RS485 does not support optical isolation or lightning protection) <sup>①</sup>
	Type	DC
	Input Voltage	12~28V
	Socket	1 * 2-pin power input socket (P=5.08mm)
System Support	RTC Battery	CR2032 button cell
	Windows	Windows 7/10
Watch Dog	Linux	Linux
	Output	System Reboot
Structure	Interval	Programmable, 1~255 seconds
	Chassis Material	Heatsink: Aluminum alloy Top/bottom plates: Galvanized steel Baseplate: Galvanized steel
	Dimensions	139mm (L) * 95.5mm (W) * 43mm (H)
Environment	Installation Options	Wall-mounted, rail-mounted, desktop
	Cooling System	Fanless passive cooling
	Operating Temperature	-20~60°C (with industrial SSD)
	Storage Temperature	-40~80°C (with industrial SSD)
	Humidity	5 to 90% RH (non-condensing)
	Vibration Resistance	IEC 60068-2-64 (3Grms@5~500Hz, random, 1hr/axis, 使用 SSD)
Shock Resistance	IEC 60068-2-27 (30G, half sine, 11ms, 使用 SSD)	

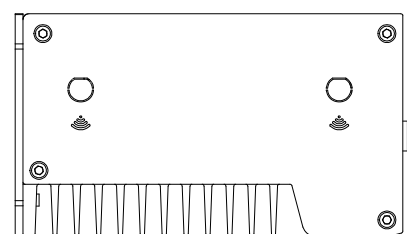
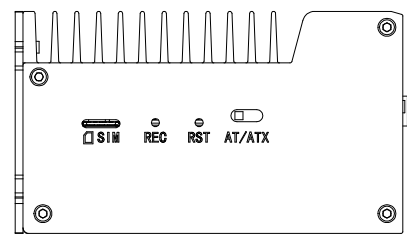
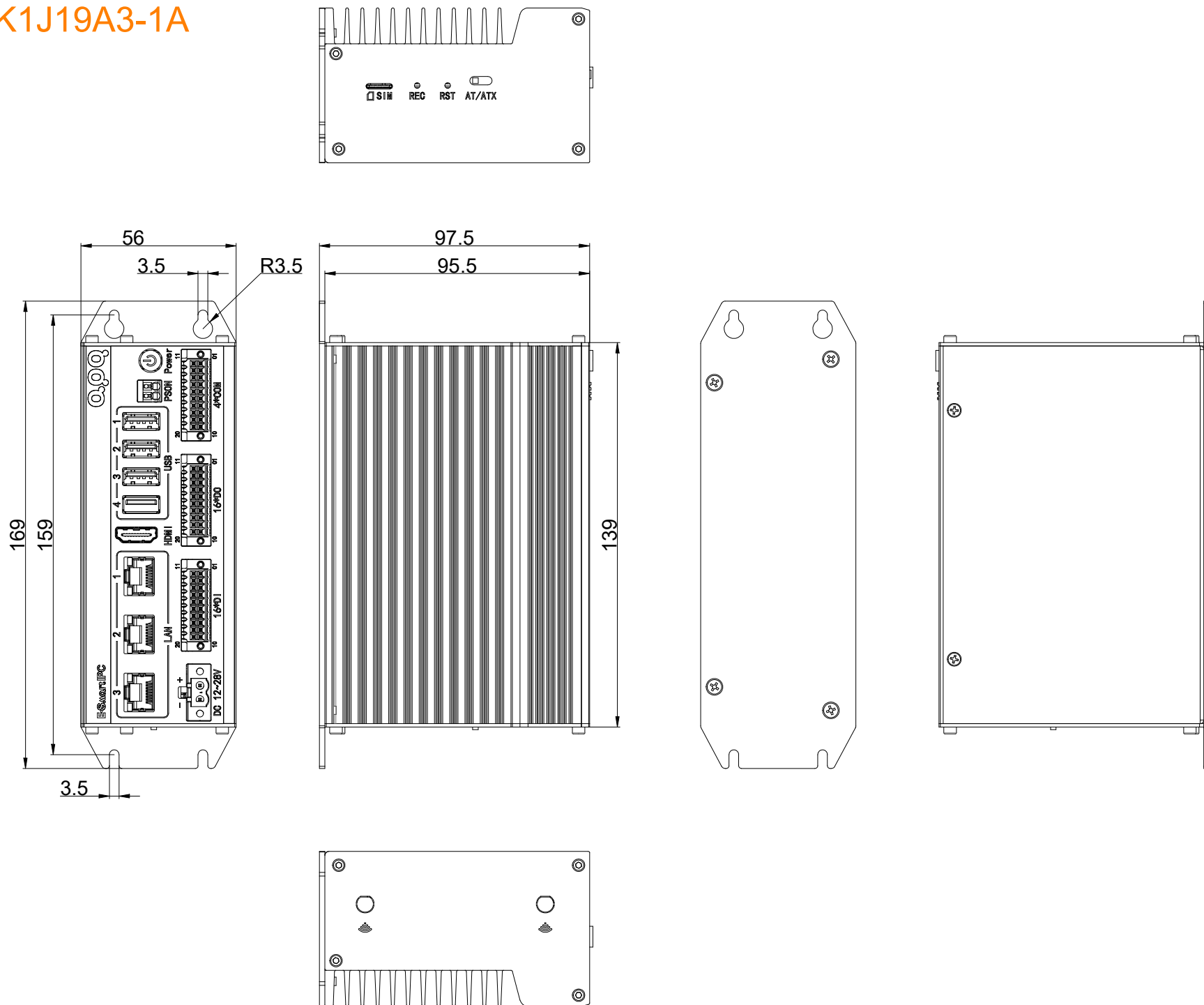
Note ①: When the 1A expansion module is selected, COM1/2 cannot be used.

Product Dimensions

AK1J19A3

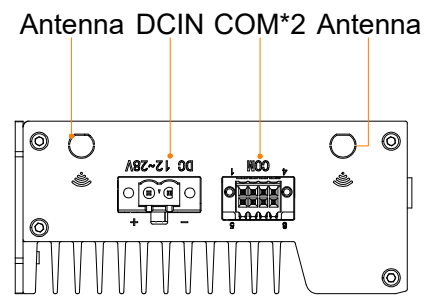
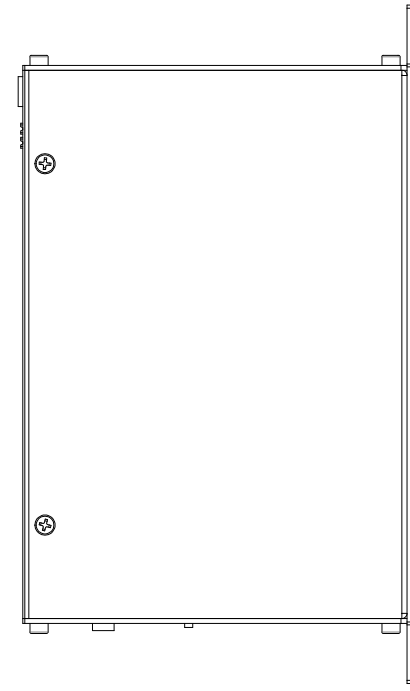
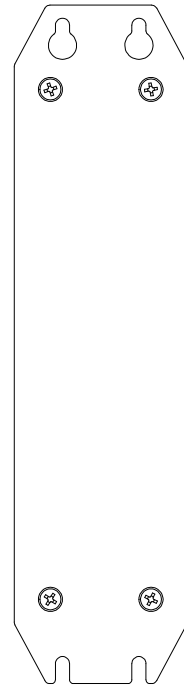
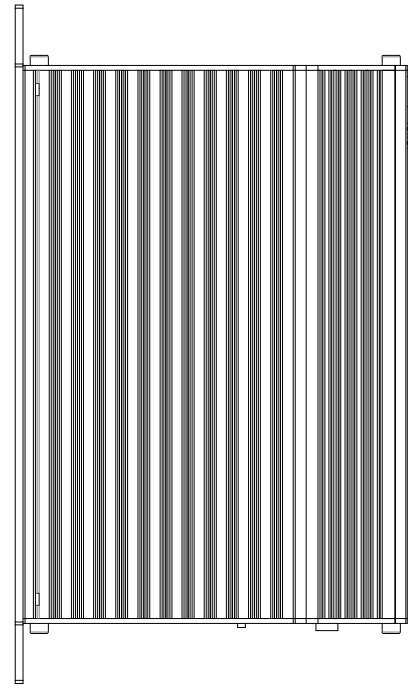
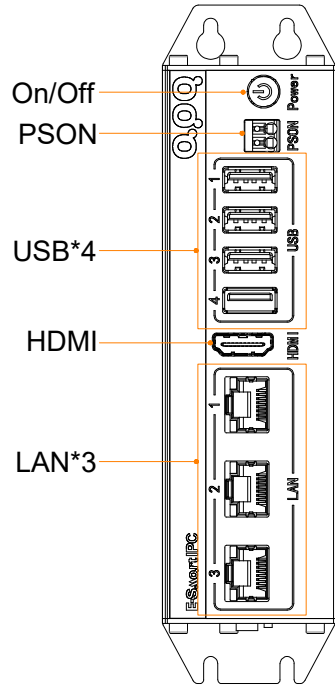
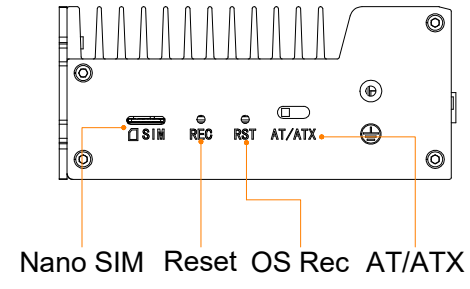


AK1J19A3-1A



Product I/O

### AK1J19A3



### AK1J19A3-1A

