



Features:

- Modular design options from 11.6 to 27 inches, supporting both square and widescreen displays.
- Ten-point capacitive touchscreen.
- All-plastic mold middle frame with a front panel designed to IP65 standards.
- Utilizes Intel® 11th-U mobile platform CPU for powerful performance.
- Integrated dual Intel® Gigabit network cards for stable, high-speed network connections.
- Supports dual hard drive storage, with a 2.5" hard drive in a pull-out design for easy maintenance.
- Compatible with APQ aDoor module expansion for enhanced functionality.
- Supports WiFi/4G wireless expansion for flexible network access.
- Fanless design with a removable heat sink for quiet operation and easy maintenance.
- Embedded/VESA mounting options for versatile installation.
- Powered by 12~28V DC supply, ensuring reliable and stable operation.



Remote Management



Status Monitoring



Remote Operations and Maintenance



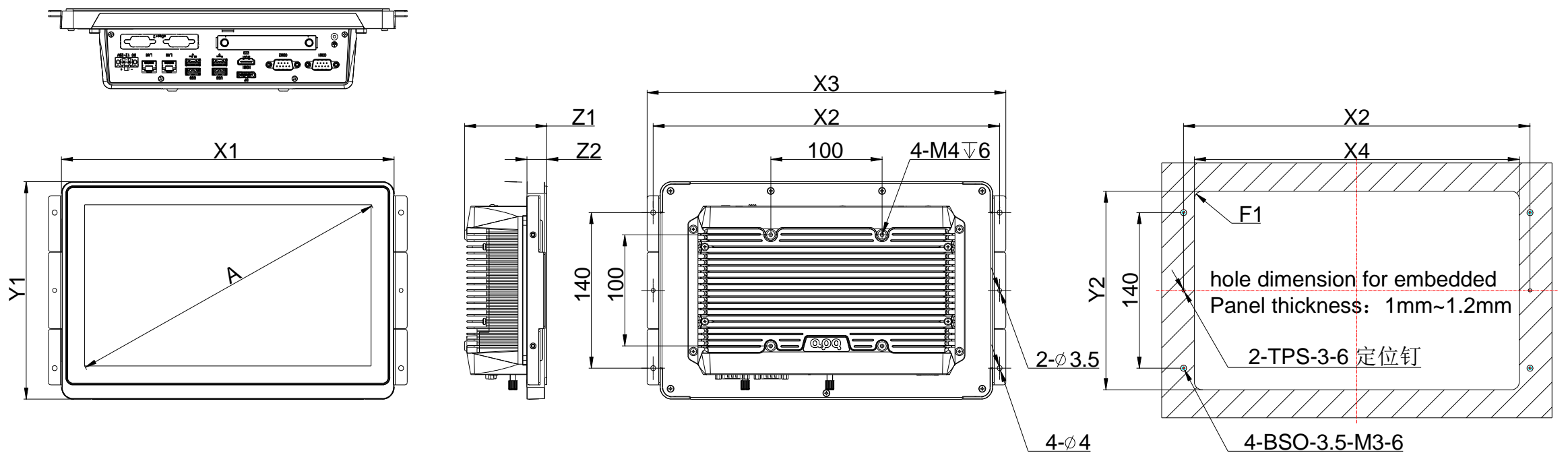
Security Control

Product Specifications

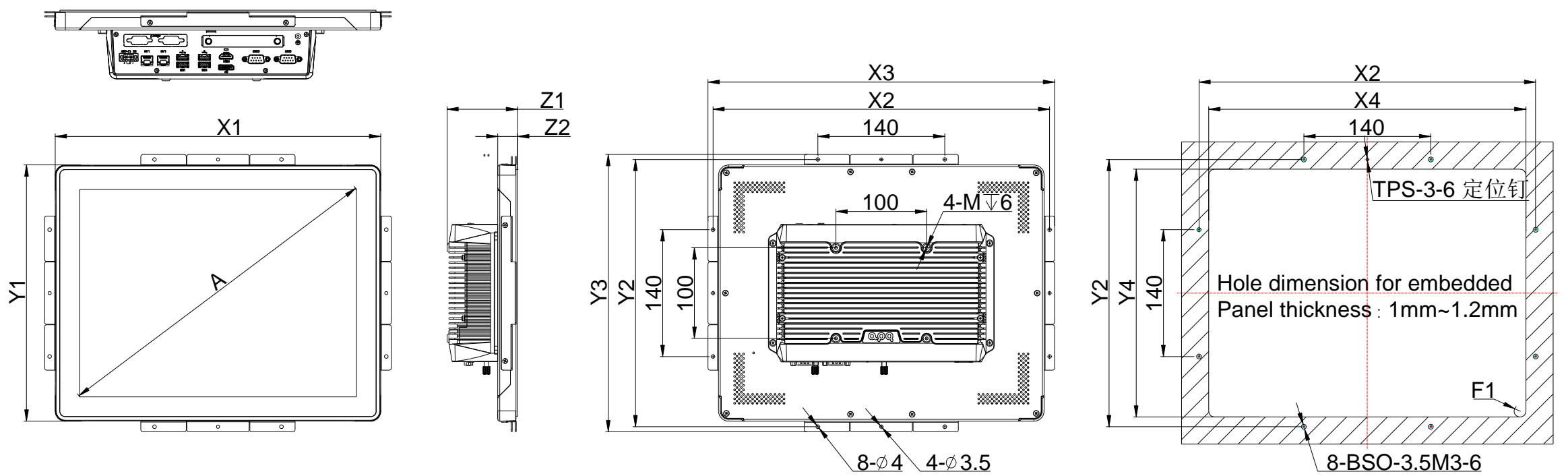
Model	PH116CL-E6	PH133CL-E6	PH150CL-E6	PH156CL-E6	PH170CL-E6	PH185CL-E6	PH190CL-E6	PH215CL-E6	PH238CL-E6	PH270CL-E6	
LCD	Display Size	11.6"	13.3"	15.0"	15.6"	17.0"	18.5"	19.0"	21.5"	23.8"	27"
	Display Type	FHD TFT-LCD	FHD TFT-LCD	XGA TFT-LCD	WXGA TFT-LCD	SXGA TFT-LCD	WXGA TFT-LCD	SXGA TFT-LCD	FHD TFT-LCD	FHD TFT-LCD	FHD TFT-LCD
	Max.Resolution	1920 x 1080	1920 x 1080	1024 x 768	1920 x 1080	1280 x 1024	1366 x 768	1280 x 1024	1920 x 1080	1920 x 1080	1920 x 1080
	Aspect Ratio	16:9	16:9	4:3	16:9	5:4	16:9	5:4	16:9	16:9	16:9
	Viewing Angle	89/89/89/89	85/85/85/85	89/89/89/89	85/85/85/85	85/85/80/80	85/85/80/80	85/85/80/80	89/89/89/89	89/89/89/89	89/89/89/89
	Luminance	220 cd/m2	300 cd/m2	350 cd/m2	220 cd/m2	250 cd/m2	250 cd/m2	250 cd/m2	250 cd/m2	250 cd/m2	300 cd/m2
	Contrast Ratio	800:1	800:1	1000:1	800:1	1000:1	1000:1	1000:1	1000:1	1000:1	3000:1
	Backlight Lifetime	15,000 Hrs	15,000 Hrs	50,000 Hrs	50,000 Hrs	50,000 Hrs	30,000 Hrs	30,000 Hrs	30,000 Hrs	30,000 Hrs	30,000 Hrs
Touchscreen	Touch Type	Projected Capacitive Touch									
	Controller	USB Signal									
	Input	Finger/Capacitive Touch Pen									
	Light Transmission	≥85%									
Processor System	Hardness	≥6H									
	CPU	Intel® 11 th Generation Core™ i3/i5/i7 Mobile -U CPU									
	Chipset	SOC									
Memory	BIOS	AMI EFI BIOS									
	Socket	2 * DDR4-3200 MHz SO-DIMM Slot									
Graphics	Max Capacity	64GB									
	Controller	Intel® UHD Graphics/Intel® Iris® Xe Graphics (dependent on CPU type)									
Ethernet	Controller	1 * Intel® i210AT (10/100/1000/2500 Mbps, RJ45) 1 * Intel® i219 (10/100/1000 Mbps, RJ45)									
	SATA	1 * SATA3.0 Connector									
Expansion Slots	M.2	1 * M.2 Key-M (SSD, 2280, NVMe+SATA3.0)									
	aDoor	2 * aDoor Expansion Slot									
	aDoor Bus	1 * aDoor Bus (16*GPIO + 4*PCIe + 1*12C)									
Front I/O	Mini PCIe	1 * Mini PCIe Slot (PCIe x1+USB 2.0, with Nano SIM Card) 1 * Mini PCIe Slot (PCIe x1+USB 2.0)									
	USB	2 * USB3.2 Gen2x1 (Type-A) 2 * USB3.2 Gen1x1 (Type-A)									
	Ethernet	2 * RJ45									
	Display	1 * DP: up to 4096x2304@60Hz 1 * HDMI (Type-A): up to 3840x2160@24Hz									
	Serial	2 * RS232/485 (COM1/2, DB9/M, BIOS control)									
	Switch	1 * AT/ATX Mode Switch (Enable/Disable automatically power on)									
	Button	1 * Reset (hold down 0.2 to 1s to restart, 3s to clear CMOS) 1 * OS Rec (system recovery)									
	Power	1 * Power Input Connector (12~28V)									
Rear I/O	USB	1 * Type-C									
	SIM	1 * Nano SIM Card Slot (Mini PCIe module provide functional support)									
	Button	1 * Power Button+Power LED 1 * PS_ON									
	Audio	1 * 3.5mm Audio Jack (LineOut+MIC, CTIA)									
Internal I/O	Front Panel	1 * Front Panel (wafer, 3x2Pin, PHD2.0)									
	FAN	1 * CPU FAN (4x1Pin, MX1.25) 1 * SYS FAN (4x1Pin, MX1.25)									
	Serial	1 * COM3/4 (5x2Pin, PHD2.0) 1 * COM5/6 (5x2Pin, PHD2.0)									
	USB	4 * USB2.0 (2*5x2Pin, PHD2.0)									
	LPC	1 * LPC (8x2Pin, PHD2.0)									
	Storage	1 * SATA3.0 7Pin Connector 1 * SATA Power									
	Audio	1 * Speaker (2-W (per channel)/8-Ω Loads, 4x1Pin, PH2.0)									
	GPIO	1 * 16bits DIO (8xDI and 8xDO, 10x2 Pin, PHD2.0)									
Power Supply	Type	DC									
	Power Input Voltage	12~28VDC									
	Connector	1 * 2Pin Power Input Connector (P=5.08mm)									
	RTC Battery	CR2032 Coin Cell									
OS Support	Windows	Windows 10									
	Linux										
Watchdog	Output	System Reset									
	Interval	Programmable 1 ~ 255 sec									
Mechanical	Enclosure Material	Panel: Plastics, Radiator: Aluminum, Box/Cover: SGCC									
	Mounting	VESA, embedded									
	Dimensions (L*W*H, Unit: mm)	298.1*195.8*74	333.7*216*72.2	359*283*77.8	401.5*250.7*74.7	393*325.6*77.8	464.9*285.5*77.7	431*355.8*77.8	532.3*323.7*77.7	585.4*357.7*77.7	662.3*400.9*77.7
Environment	Weight	Net: 2.8kg, Total:4.1kg	Net: 3kg, Total:4.3kg	Net: 4.2kg, Total:5.7kg	Net: 4.3kg, Total:5.8kg	Net: 5.2kg, Total:6.7kg	Net:5.3kg, Total:7kg	Net: 6.1kg, Total:7.7kg	Net: 6.3kg, Total:8.3kg	Net: 7.9kg, Total:9.9kg	Net: 9kg, Total:11kg
	Heat Dissipation System	Passive heat dissipation									
	Operating Temperature	0~50°C									
	Storage Temperature	-20~60°C									
Relative Humidity	10 to 95% RH (non-condensing)										

Vibration During Operation	With SSD: IEC 60068-2-64 (1Grms@5-500Hz, random, 1hr/axis)
Shock During Operation	With SSD: IEC 60068-2-27 (15G, half sine, 11ms)

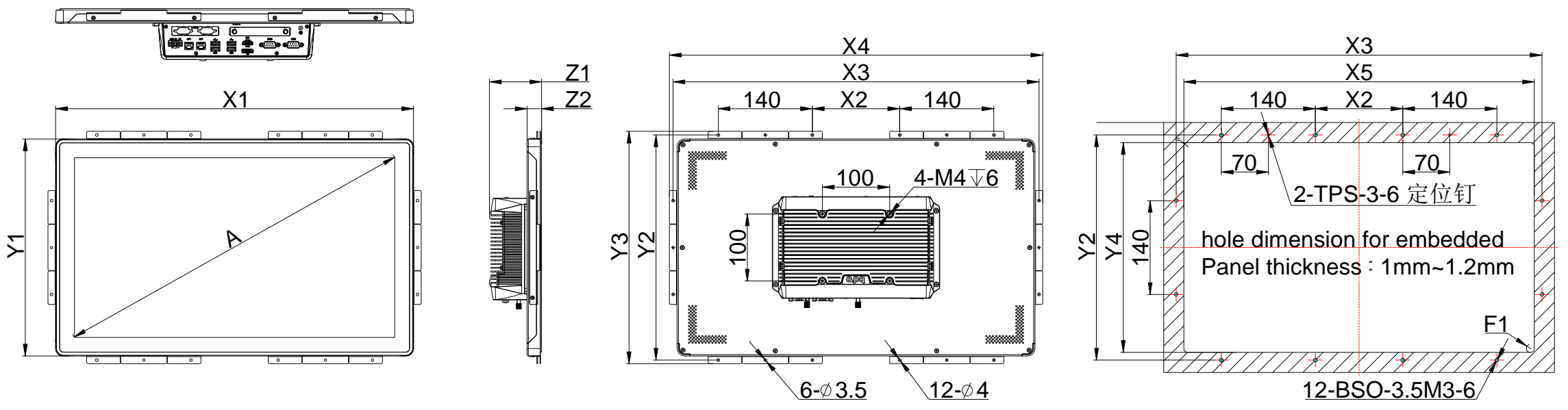
Product Dimensions



A	System Dimension			Panel Mount				
	X1	Y1	Z1	X2	Y2	Z2	X3	F1
11.6"	298.8	195.8	74	311.3	178.7	18	322.3	6.9
13.3"	333.7	216	72.2	346.9	197.3	16.2	357.7	6



A	System Dimension			Panel Mount							
	X1	Y1	Z1	X2	Y2	Z2	X3	Y3	X4	Y4	F1
15.0"	359	283	77.8	371.2	295.1	21.8	382.2	306.1	349.7	273.7	6.5
15.6"	401.5	250.7	74.7	413.9	263.1	18.7	424.9	274.1	389.1	238.3	6
17.0"	393	325.6	77.8	405.2	337.8	21.8	416.2	348.8	383	315.5	6
18.5"	464.9	285.5	77.7	476.9	297.5	21.7	487.9	308.5	454.3	274.9	6
19.0"	431	355.8	77.8	443.2	367.9	21.8	454.2	378.9	420.5	345.2	6



A	System Dimension			Panel Mount								
	X1	Y1	Z1	X2	Y2	Z2	X3	Y3	X4	Y4	X5	F1
21.5"	532.3	323.7	77.7	130	335.8	21.7	544.4	346.8	555.4	313.1	521.6	6
23.8"	585.4	357.7	77.7	130	369.8	21.7	597.5	380.8	608.5	347.1	574.8	6
27.0"	662.3	400.9	77.7	190	413.2	21.7	674.6	424.2	685.6	390.5	651.9	6

Product I/O

